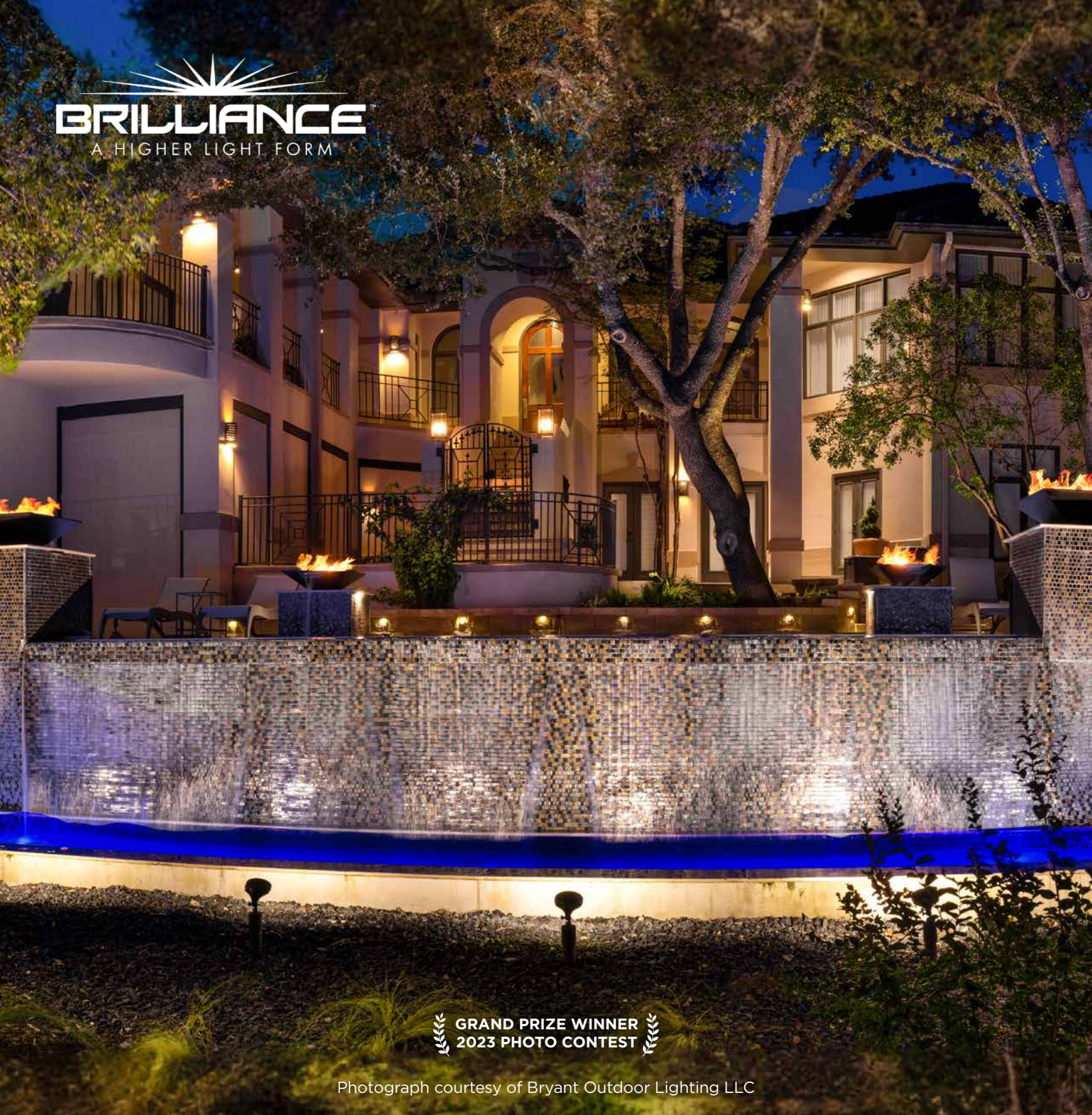




BRILLIANCE
A HIGHER LIGHT FORM



GRAND PRIZE WINNER
2023 PHOTO CONTEST

Photograph courtesy of Bryant Outdoor Lighting LLC

2024 PRODUCT REFERENCE GUIDE

LINE VOLTAGE & LOW VOLTAGE LED LAMPS
LANDSCAPE LIGHTING FIXTURES
SMART PRODUCTS & CONTROLS
TRANSFORMERS



1ST RUNNER UP
2023 PHOTO CONTEST

Photograph courtesy of National Lawn Sprinklers & Outdoor Living

Brilliance



BRILLIANCE™

A HIGHER LIGHT FORM®

Brilliance exists to enhance the way people experience spaces. Our mission is to deliver quality lifestyles through high performance lighting solutions and outdoor living products.

Our team is passionate about the landscape lighting industry and is committed to offering high-quality LED lamps, low voltage fixtures, smart products, and controls to the marketplace. Innovating is important to us, which is why we continue to develop new products that make your job easier and transform living environments.

Our Values



Service



Stewardship



Visionary



Legacy



Family

Our Products

The Brilliance product line is designed with function, durability, and purpose of application in mind. This means that our lamps, landscape lighting fixtures, power sources, smart products, and controls are engineered for performance and are built to last. Brilliance is committed to offering well-designed products that stand the test of time.

What You Can Expect From Us

We provide superior customer service to our distributor network, and that extends to contractors and homeowners who use our products. We look for ways to make your job easier and to provide the innovative LED lighting products your designs need.

2023 BRILLIANCE

8TH ANNUAL

PHOTO CONTEST

All Photo Contest Winners can be found on page 141-142.

 **GRAND PRIZE WINNER**
2023 PHOTO CONTEST 

Front and Back Cover
Bryant Outdoor Lighting LLC in San Antonio, TX

 **1ST RUNNER UP WINNER**
2023 PHOTO CONTEST 

Inside Front Cover
National Lawn Sprinklers & Outdoor Lighting in White Plains, NY

 **2ND RUNNER UP WINNER**
2023 PHOTO CONTEST 

Page 131
Abstract Lighting in AZ

 **HONORABLE MENTION**
2023 PHOTO CONTEST 

Page 42
Sam Alvis in CA

 **HONORABLE MENTION**
2023 PHOTO CONTEST 

Page 1-2
National Lawn Sprinklers & Outdoor Lighting in White Plains, NY

 **HONORABLE MENTION**
2023 PHOTO CONTEST 

Page 33-34
Refined Outdoor Lighting in Cave Creek, AZ

Brilliance lamps are patented under D735369, D735370, D735371, D735372, D735373. The Brilliance Bistro String Light Kit is patented under D898986S.

Brilliance LED® is a registered trademark. "A Higher Light Form®" is a registered trademark of Brilliance LED.

© 2024 Brilliance LED®, LLC. All Rights Reserved.

Product images are for illustration purposes only. Actual products may vary. All products, product specifications, and data are subject to change without notice to improve reliability, function, design, or otherwise.

All product variations may not be available and in stock; some are available only via special order and are subject to special order terms, pricing, conditions, and minimum order quantities. Call 800-867-2108 for availability.

* Indicates Special Order Item.

† Indicates Select Beam Spreads Available in Stock.

Brilliance

TABLE OF CONTENTS

LOW VOLTAGE 1

Micro G4	3
Micro T5	4
Beacon G4	5
Beacon Plus G4	6
Beacon T5	7
Beacon SCB	8
Beacon DCB	9
Beacon S8	10
G4 Ecostar	11
T5 Ecostar	12
SCB Ecostar	13
Blaze G4	14
Rectangle G4 Wafer	15
Round G4 Wafer	16
MR8	17
MR11	18
AR11	19
MR16 Ecostar	20
MR16	21
PAR36	22
Strip Light	23
Strip Light Accessories	24
Wave Strip Light	25
Wave Strip Light Accessories	26
Candelabra Edge Filament	27
S14 Edge Filament	28
Low Voltage Bistro String Reel	29
Straight Connector	30
T Connector	31
End Cap	32

LINE VOLTAGE 33

Candelabra Edge Filament	35
S14 Edge Filament	36
A19 Edge Filament	37
Blaze Candelabra	38
Line Voltage Bistro String Light Kit	39

SMART PRODUCTS & CONTROLS 41

Chameleon Programming Puck	43
Chameleon G4 Bi-Pin	44
Chameleon MR16	45
Chameleon PAR36	46
Wi-Fi Smart Socket 3.0	47
Brilliance LED Dimmer	48
Transformers	49
Brilliance Relay	51
Sector Selector	53

METAL WORKS 55

Versa Beam	57
Black Diamond Directional Light	63
Black Diamond Path Light	65
Black Diamond Wall Wash	67
Black Diamond PAR36 Well Light	69
Black Diamond MR16 Well Light	71
Organics Directional Light	73
Acadia	75
Denali	77
Grand Canyon	79
Arches	81
Glacier	83
Glacier Perforated	85
Bryce	87
Bryce Perforated	89
Pinnacles	91
Everglades	93
Guadalupe	95
Redwood	97
Joshua Tree	99
Sequoia	101
Zion	103
Roswell Solar Path Light	105
Olympic	107
Mount Rainier	109
Carlsbad	111
Carlsbad Flange	113
Congaree	115
Congaree Flange	117
Ozark	119
Cascades	121
Light Bar	122
Tee Wall Washer	123
Surface Mount Wall Wash	124
Adjustable Aquabeam	125
Niche Light	126
Mini Beam + Stake & Shield	127
Gutter Mount	128
Replacement Parts	129
Accessories	130

RESOURCES 131

Volt Amps	132
Ingress Protection Ratings	133
Professional Training	137
Design Consultation Tips	138
Lamp & Control Warranty	139
Fixture Warranty	140



12VAC

**LOW
VOLTAGE**

HONORABLE MENTION
2023 PHOTO CONTEST



Photograph courtesy of National Lawn Sprinklers & Outdoor Lighting

MICRO G4



DESCRIPTION

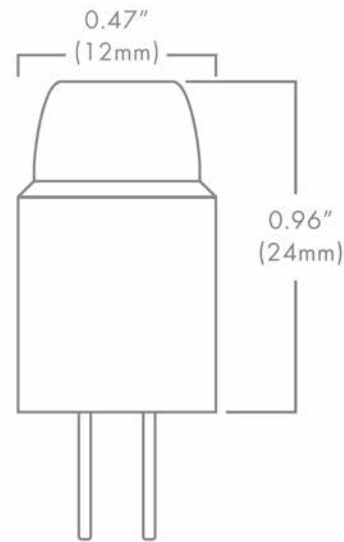
The Brilliance Micro G4 Bi-Pin is a sub-compact LED that features Brilliance's omni-directional beam pattern. This Micro G4 Bi-Pin is energy efficient and water resistant. It is designed specifically for landscape retrofit applications and is ideal for pathway lighting fixtures. Dimmable with Brilliance Dimmer and most magnetic transformers. Suitable for damp locations and for use in totally enclosed luminaires. Not for underwater use.

FEATURES

- Ceramic technology
- UL Certified E360351

MICRO G4 SPECS

Wattage	1.2W
Volt Amps	1.52
Lumens	2700K 95
	3000K 100
Beam Spread	Omni-directional
Kelvin Temperature	2700, 3000
Color	Amber
Operating Range	8-14 VAC/DC
Replaces	10W Halogen
CRI	85
IP	61
Lamp Life (hours)	35,000
Warranty (years)	5



Part Number: **BRI-MICRO-G4-XXXX**

↓
Kelvin/Color



MICRO T5



DESCRIPTION

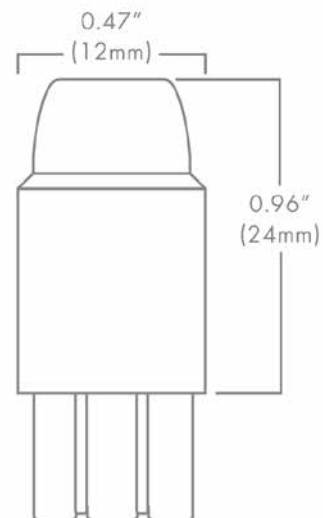
The Brilliance Micro T5 Wedge is a sub-compact LED that features Brilliance's omni-directional beam pattern. This Micro T5 Wedge is energy efficient and water resistant. It is designed specifically for landscape retrofit applications and is ideal for pathway lighting fixtures. Dimmable with Brilliance Dimmer and most magnetic transformers. Suitable for damp locations and for use in totally enclosed luminaires. Not for underwater use.

FEATURES

- Ceramic technology
- UL Recognized Components

MICRO T5 SPECS

Wattage	1.2W
Volt Amps	1.52
Lumens	95
Beam Spread	Omni-directional
Kelvin Temperature	2700
Operating Range	8-14 VAC/DC
Replaces	10W Halogen
CRI	85
IP	61
Lamp Life (hours)	35,000
Warranty (years)	5



Part Number: **BRI-MICRO-T5**



BEACON G4



DESCRIPTION

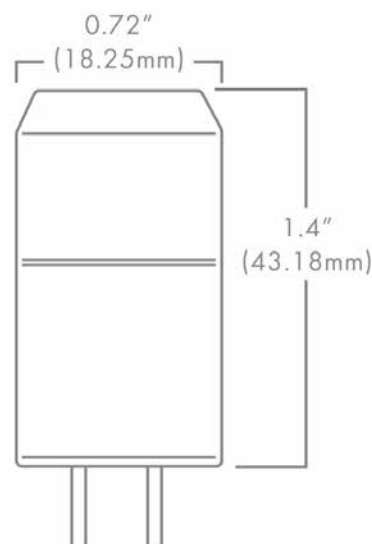
The Brilliance Beacon G4 Bi-Pin is a sub-compact LED that features Brilliance's omni-directional beam pattern. This G4 Bi-Pin is energy efficient and water resistant. It is designed specifically for landscape retrofit applications and is ideal for pathway lighting fixtures and step lights. Dimmable with Brilliance Dimmer and most magnetic transformers. Suitable for damp locations and for use in totally enclosed luminaires. Not for underwater use.

BEACON G4 FEATURES

- Ceramic technology
- UL Certified E360351

BEACON G4 SPECS

Wattage	2W
Volt Amps	3.28
Lumens	2700K 230
	3000K 244
	5700K 250
Beam Spread	Omni-directional
Kelvin Temperature	2700, 3000, 5700
Operating Range	8-25 VAC/DC
Replaces	20W Halogen
CRI	84
IP	65
Lamp Life (hours)	35,000
Warranty (years)	5



Part Number: **BRI-BEACON-G4-XXXX**

|
Kelvin



BEACON PLUS G4



DESCRIPTION

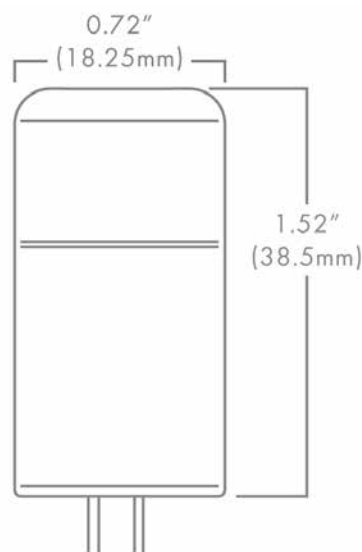
The Brilliance Beacon Plus G4 Bi-Pin is a sub-compact LED that features Brilliance's omni-directional beam pattern through a translucent optic. This G4 Bi-Pin is energy efficient and water resistant. It is designed specifically for landscape retrofit applications and is ideal for pathway lighting fixtures and step lights. Dimmable with Brilliance Dimmer and most magnetic transformers. Suitable for damp locations and for use in totally enclosed luminaires. Not for underwater use.

BEACON PLUS G4 FEATURES

- Ceramic technology
- UL Certified E360351

BEACON PLUS G4 SPECS

Wattage	3W
Volt Amps	4.55
Lumens	2700K 300
	3000K 340
Beam Spread	Omni-directional
Kelvin Temperature	2700, 3000
Operating Range	8-25 VAC/DC
Replaces	35W Halogen
CRI	90+
IP	65
Lamp Life (hours)	35,000
Warranty (years)	5



Part Number: **BRI-BEACON-PLUS-G4-XXXX**

|
Kelvin



BEACON T5



DESCRIPTION

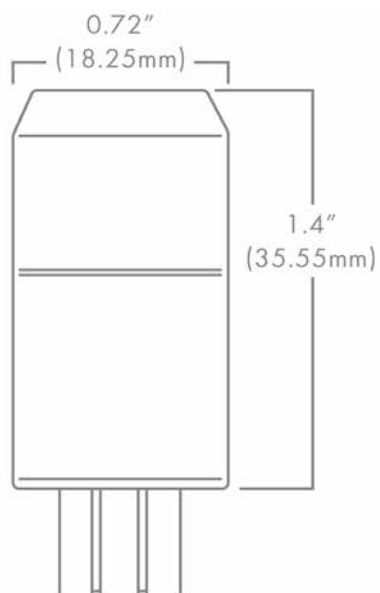
The Brilliance Beacon T5 Wedge is a sub-compact LED that features Brilliance's omni-directional beam pattern. This T5 Wedge is energy efficient and water resistant. It is designed specifically for landscape retrofit applications and is ideal for pathway lighting fixtures and step lights. Dimmable with Brilliance Dimmer and most magnetic transformers. Suitable for damp locations and for use in totally enclosed luminaires. Not for underwater use.

BEACON T5 FEATURES

- Ceramic technology
- UL Recognized Components

BEACON T5 SPECS

Wattage	2W
Volt Amps	3.28
Lumens	2700K 233
	3000K 245
Beam Spread	Omni-directional
Kelvin Temperature	2700, 3000
Operating Range	8-25 VAC/DC
Replaces	20W Halogen
CRI	84
IP	61
Lamp Life (hours)	35,000
Warranty (years)	5



Part Number: **BRI-BEACON-T5-XXXX**

|
Kelvin



BEACON SCB



DESCRIPTION

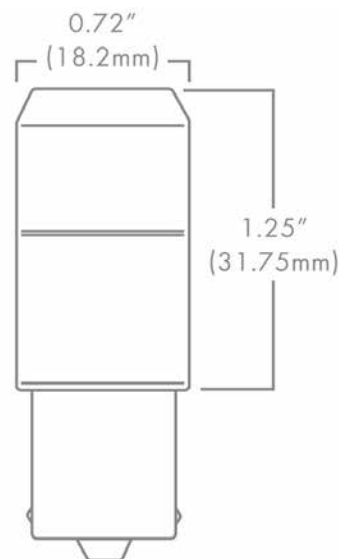
The Brilliance Beacon Single Contact Bayonet (SCB) is a subcompact LED that features Brilliance's omni-directional beam pattern. This SCB is energy efficient and water resistant. It is designed specifically for landscape retrofit applications and is ideal for pathway lighting fixtures and step lights. Dimmable with Brilliance Dimmer and most magnetic transformers. Suitable for damp locations and for use in totally enclosed luminaires. Not for underwater use.

BEACON SCB FEATURES

- Ceramic technology
- UL Certified E360351

BEACON SCB SPECS

Wattage	2W
Volt Amps	2.38
Lumens	2700K 230
	3000K 245
Beam Spread	Omni-directional
Kelvin Temperature	2700, 3000
Operating Range	8-25 VAC/DC
Replaces	20W Halogen
CRI	84
IP	65
Lamp Life (hours)	35,000
Warranty (years)	5



Part Number: **BRI-BEACON-SCB-XXXX**

|
Kelvin



BEACON DCB



DESCRIPTION

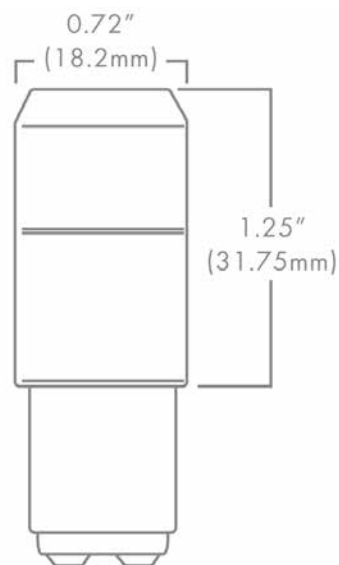
The Brilliance Beacon Double Contact Bayonet (DCB) is a subcompact LED that features Brilliance's omni-directional beam pattern. This DCB is energy efficient and water resistant. It is designed specifically for landscape retrofit applications and is ideal for pathway lighting fixtures, wall washing, and hanging fixtures. Dimmable with Brilliance Dimmer and most magnetic transformers. Suitable for damp locations and for use in totally enclosed luminaires. Not for underwater use.

BEACON DCB FEATURES

- Ceramic technology
- UL Certified E360351

BEACON DCB SPECS

Wattage	2W
Volt Amps	3.28
Lumens	2700K 200
	3000K 225
Beam Spread	Omni-directional
Kelvin Temperature	2700, 3000
Operating Range	8-25 VAC/DC
Replaces	20W Halogen
CRI	84
IP	65
Lamp Life (hours)	35,000
Warranty (years)	5



Part Number: **BRI-BEACON-DCB-XXXX**

|
Kelvin



BEACON S8



DESCRIPTION

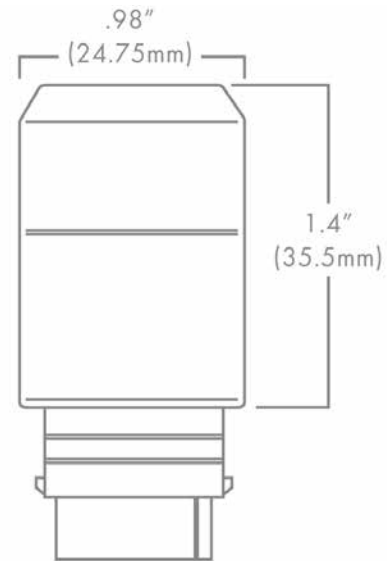
The Brilliance Beacon S8 Wedge is a subcompact LED that features Brilliance's omni-directional beam pattern. This S8 is energy efficient and water resistant. It is designed specifically for landscape retrofit applications and is ideal for pathway lighting fixtures and step lights. Dimmable with Brilliance Dimmer and most magnetic transformers. Suitable for damp locations and for use in totally enclosed luminaires. Not for underwater use.

BEACON S8 FEATURES

- Ceramic technology
- UL Recognized Components

BEACON S8 SPECS

Wattage	2W
Volt Amps	3.28
Lumens	2700K 200
	3000K 245
Beam Spread	Omni-directional
Kelvin Temperature	2700, 3000
Operating Range	8-25 VAC/DC
Replaces	20W Halogen
CRI	84
IP	65
Lamp Life (hours)	35,000
Warranty (years)	5



Part Number: **BRI-BEACON-S8-XXXX**

↓
Kelvin



G4 ECOSTAR



DESCRIPTION

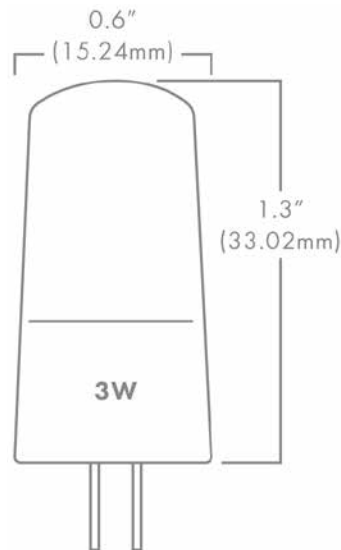
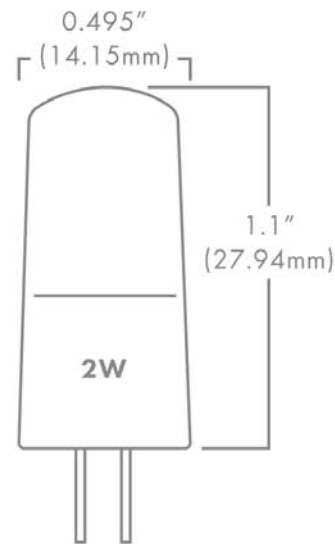
The Brilliance G4 Ecostar Bi-Pin is a sub-compact LED that utilizes a multi-directional beam pattern. The G4 Ecostar is energy efficient and water resistant. It is designed specifically for landscape retrofit applications and is ideal for pathway lighting fixtures, and step lights. Designed for budget-conscious landscape lighting projects. Dimmable with Brilliance Dimmer and most magnetic transformers.

G4 ECOSTAR FEATURES

- Budget conscious
- High CRI
- Enhanced ESD (Electro-Static Discharge) protection (IEC-61000-4-2)

G4 ECOSTAR SPECS

Wattage	2W	3W
Volt Amps	3.33	5.00
Lumens	2700K	150
	3000K	240
	150	245
Beam Spread	Omni-directional	
Kelvin Temperature	2700, 3000	
Operating Range	8-14 VAC/DC	
Replaces	10W, 20W Halogen	
CRI	95	
IP	65	
Lamp Life (hours)	25,000	
Warranty (years)	3	



Part Number: **BRI-G4-ECO-X-XXXX**

| |
Wattage Kelvin

T5 ECOSTAR



DESCRIPTION

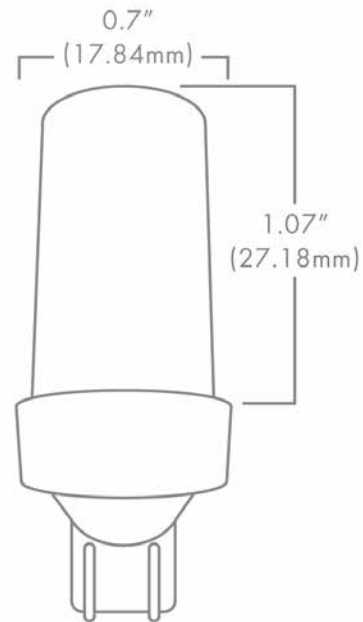
The Brilliance T5 Ecostar Wedge is a sub-compact LED that utilizes a omni-directional beam pattern. The T5 Ecostar is energy efficient and water resistant. It is designed specifically for landscape retrofit applications and is ideal for pathway lighting fixtures, and step lights. Designed for budget-conscious landscape lighting projects. Dimmable with Brilliance Dimmer and most magnetic transformers.

T5 ECOSTAR FEATURES

- Budget conscious
- High CRI
- Enhanced ESD (Electro-Static Discharge) protection (IEC-61000-4-2)

T5 ECOSTAR SPECS

Wattage	3W
Volt Amps	5.00
Lumens	2700K 240
	3000K 245
Beam Spread	Omni-directional
Kelvin Temperature	2700, 3000
Operating Range	8-14 VAC/DC
Replaces	20W Halogen
CRI	95
IP	65
Lamp Life (hours)	25,000
Warranty (years)	3



Part Number: **BRI-T5-ECO-3-XXXX**

|
Kelvin



SCB ECOSTAR



DESCRIPTION

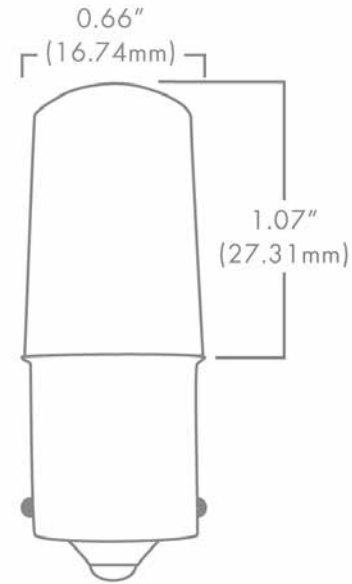
The Brilliance Single Contact Bayonet (SCB) Ecostar is a sub-compact LED that utilizes a multi-directional beam pattern. The SCB Ecostar is energy efficient and water resistant. It is designed specifically for landscape retrofit applications and is ideal for pathway lighting fixtures, and step lights. Designed for budget-conscious landscape lighting projects. Dimmable with Brilliance Dimmer and most magnetic transformers.

SCB ECOSTAR FEATURES

- Budget conscious
- High CRI
- Enhanced ESD (Electro-Static Discharge) protection (IEC-61000-4-2)

SCB ECOSTAR SPECS

Wattage	3W
Volt Amps	5.00
Lumens	2700K 240
	3000K 245
Beam Spread	Omni-directional
Kelvin Temperature	2700, 3000
Operating Range	8-14 VAC/DC
Replaces	20W Halogen
CRI	95
IP	65
Lamp Life (hours)	25,000
Warranty (years)	3



Part Number: **BRI-SCB-ECO-3-XXXX**

↓
Kelvin



BLAZE G4



DESCRIPTION

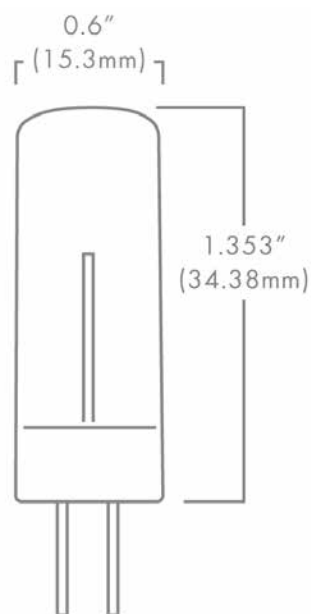
The Brilliance Blaze G4 Bi-Pin is a specialty lamp designed specifically to create a real, flame-like effect in any G4 base fixture. Perfect for path lights or anywhere a warm, flickering light is desired. The Blaze series is also offered in line voltage Candelabra option in an E12 base.

BLAZE G4 FEATURES

- Low voltage flickering flame effect

BLAZE G4 SPECS

Wattage	2W
Volt Amps	3.33
Lumens	20-120
Kelvin Temperature	1400-1700
Operating Range	8-15 VAC/DC
IP	65
Lamp Life (hours)	30,000
Warranty (years)	3



Part Number: **BRI-BLAZE-G4**



RECTANGLE G4 WAFER

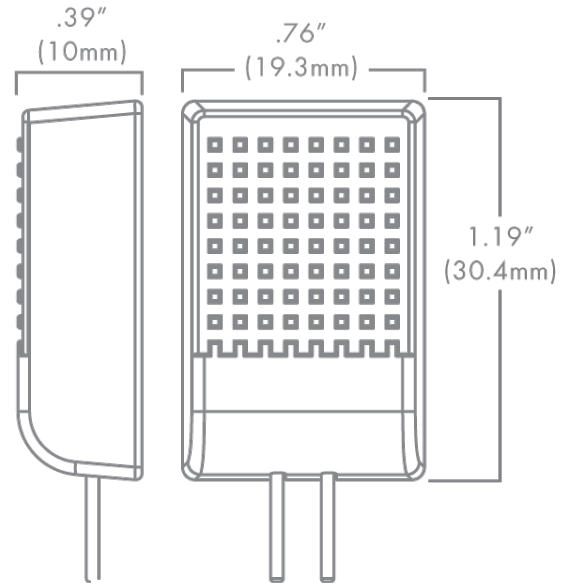


DESCRIPTION

The Brilliance G4 Bi-Pin Wafer is designed specifically for low voltage landscape lighting fixtures. This compact LED is energy efficient and produces a broad 120° light pattern. Dimmable with Brilliance Dimmer and most magnetic transformers.

RECTANGULAR G4 WAFER SPECS

Wattage	2W	3W
Volt Amps	3.33	5.1
Lumens	200	300
Beam Spread	120°	
Kelvin Temperature	2700, 3000	
Operating Range	8-25 VAC/DC	
Replaces	25W Halogen	
CRI	90	
IP	62	
Lamp Life (hours)	30,000	
Warranty (years)	5	



Part Number: **G4-WAFER-X-XXXX-RT**



ROUND G4 WAFER

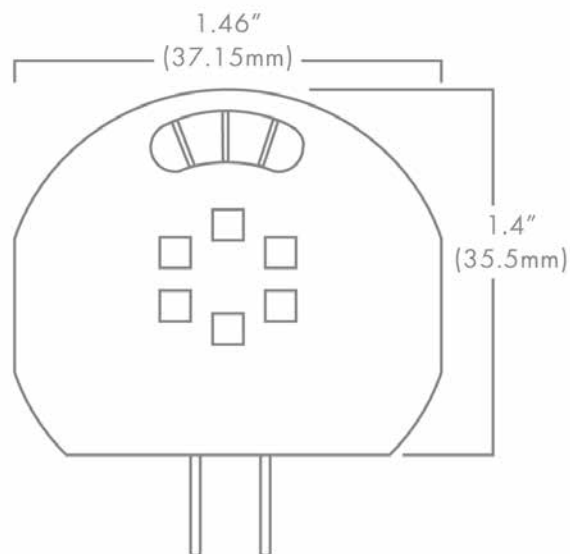


DESCRIPTION

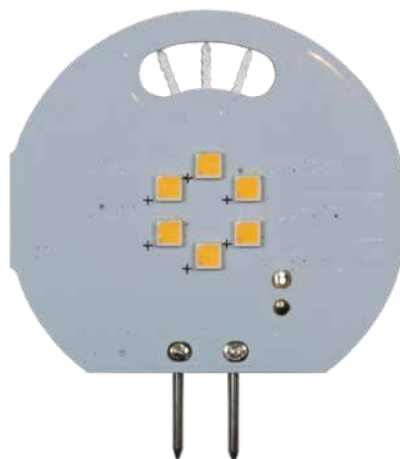
The Brilliance G4 Bi-Pin Wafer is designed specifically for low voltage landscape lighting fixtures. This compact LED is energy efficient and produces a broad 180° light pattern. Dimmable with Brilliance Dimmer and most magnetic transformers.

ROUND G4 WAFER SPECS

Wattage	2W
Volt Amps	3.33
Lumens	120
Beam Spread	180°
Kelvin Temperature	2700
Operating Range	8-24 VAC/DC
Replaces	25W Halogen
CRI	85
IP	60
Lamp Life (hours)	35,000
Warranty (years)	5



Part Number: **G4-WAFER-2-2700-RND**



MR8



DESCRIPTION

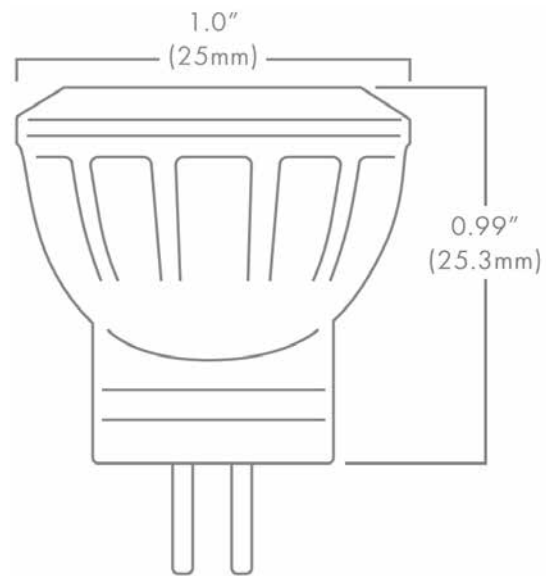
The Brilliance MR8 Bi-Pin is designed to fit in standard low voltage MR8 fixtures and offers a long lamp life. These LEDs are thermally engineered to operate in enclosed fixtures and provide added security by automatically cooling down and reducing lumen output when exposed to extreme heat, such as air temperatures above 125°F. There is no color shift when lumen output is reduced. Dimmable with Brilliance Dimmer and most magnetic transformers. Suitable for damp locations and for use in totally enclosed luminaires. Not for underwater use.

MR8 FEATURES

- Earth tone colored housing
- Enhanced ESD (Electro-Static Discharge) protection (IEC-61000-4-2)
- Heat overload protection technology
- Fully potted PC board
- UL Certified E360351

MR8 SPECS

Wattage	1.5W
Volt Amps	2.50
Lumens	2700K 90
	3000K 139
Beam Spread	15°, 30°, 60°, 120°
Kelvin Temperature	2700, 3000
Color	Amber (30° only)
Operating Range	8-25 VAC/DC
Replaces	10W Halogen
CRI	85
IP	61
Lamp Life (hours)	50,000
Warranty (years)	5



Part Number: **MR8-XXXX-XXX**

Kelvin | Beam spread



MR11



DESCRIPTION

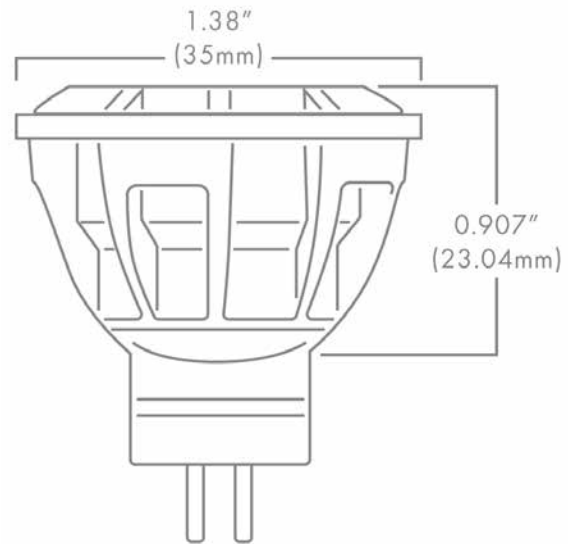
The Brilliance MR11 Bi-Pin is designed to fit into standard low voltage MR11 fixtures and offers a long lamp life. These LEDs are thermally engineered to operate in enclosed fixtures and provide added security by automatically cooling down and reducing lumen output when exposed to extreme heat, such as air temperatures above 125°F. There is no color shift when lumen output is reduced. Dimmable with Brilliance Dimmer and most magnetic transformers. Suitable for damp locations and for use in totally enclosed luminaires. Not for underwater use.

MR11 FEATURES

- Earth tone colored housing
- Enhanced ESD (Electro-Static Discharge) protection (IEC-61000-4-2)
- Heat overload protection technology
- Fully potted PC board
- UL Certified E360351

MR11 SPECS

Wattage	2W						
Volt Amps	3.33						
Lumens	<table border="0"> <tr> <td>2700K</td> <td>120</td> </tr> <tr> <td>3000K</td> <td>166</td> </tr> <tr> <td>5700K</td> <td>197</td> </tr> </table>	2700K	120	3000K	166	5700K	197
2700K	120						
3000K	166						
5700K	197						
Beam Spread †	15°, 30°, 60°, 120°						
Kelvin Temperature	2700, 3000, 5700						
Color	Amber (30° only)						
Operating Range	8-25 VAC/DC						
Replaces	20W Halogen						
CRI	85						
IP	61						
Lamp Life (hours)	50,000						
Warranty (years)	5						



Part Number: **MR11-2-XXXX-XXX**

| Kelvin | Beam spread
 | | |



† Select Beam Spreads Available in Stock. Call 800-867-2108 for availability.

AR11

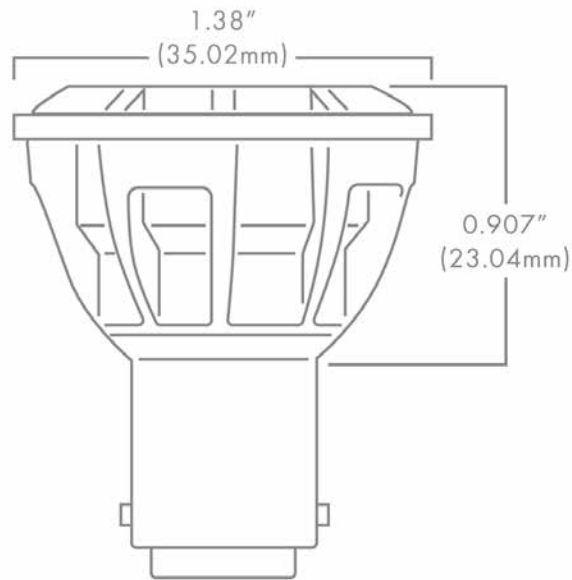


DESCRIPTION

The Brilliance AR11 Double Contact Bayonet (DCB) is designed to fit into standard low voltage AR11 fixtures and offers a long lamp life. These LEDs are thermally engineered to operate in enclosed fixtures and provide added security by automatically cooling down and reducing lumen output when exposed to extreme heat, such as air temperatures above 125°F. There is no color shift when lumen output is reduced. Dimmable with Brilliance Dimmer and most magnetic transformers. Suitable for damp locations and for use in totally enclosed luminaires. Not for underwater use.

AR11 FEATURES

- Earth tone colored housing
- Enhanced ESD (Electro-Static Discharge) protection (IEC-61000-4-2)
- Heat overload protection technology
- Fully potted PC board
- UL Certified E360351



Part Number: **AR11-2-XXXX-XX**

Kelvin | Beam spread

AR11 SPECS

Wattage	2W
Volt Amps	3.33
Lumens	2700K 120
	3000K 138
Beam Spread	30°, 60°
Kelvin Temperature	2700, 3000
Color	Amber (30° only)
Operating Range	8-25 VAC/DC
Replaces	20W Halogen
CRI	85
IP	61
Lamp Life (hours)	50,000
Warranty (years)	5



MR16 ECOSTAR

DESCRIPTION

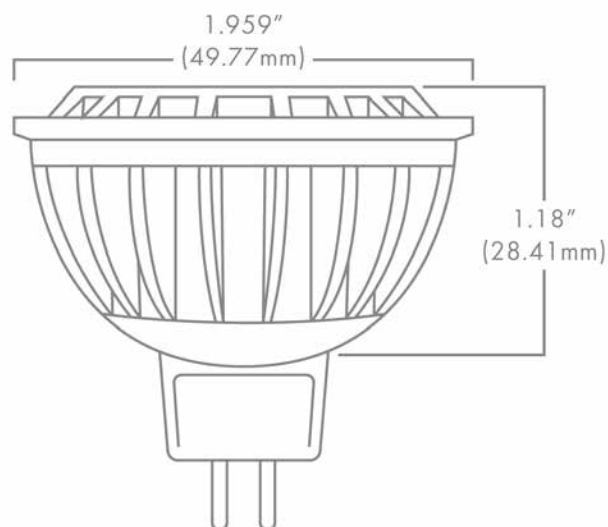
The Brilliance MR16 ECOSTAR Bi-Pin lamp is designed to fit in standard low voltage fixtures. Designed for budget-conscious landscape lighting projects. Dimmable with Brilliance Dimmer and most magnetic transformers.

MR16 ECOSTAR FEATURES

- White housing
- Enhanced ESD (Electro-Static Discharge) protection (IEC-61000-4-2)
- Heat overload protection technology

MR16 ECOSTAR SPECS

Wattage	4W	7W	
Volt Amps	6.35	11.11	
Lumens	2700K	350	640
	3000K	420	660
	5700K	430	718
Beam Spread†	15°, 30°, 60°, 120°		
Kelvin Temperature	2700, 3000, 5700		
Operating Range	8-25 VAC/DC		
Replaces	35W, 50W Halogen		
CRI	80		
IP	61		
Lamp Life (hours)	30,000		
Warranty (years)	3		



Part Number: **MR16-X-ECO-XXXX-XXX**

Wattage | Kelvin | Beam spread



† Select Beam Spreads Available in Stock.
Call 800-867-2108 for availability.

MR16



DESCRIPTION

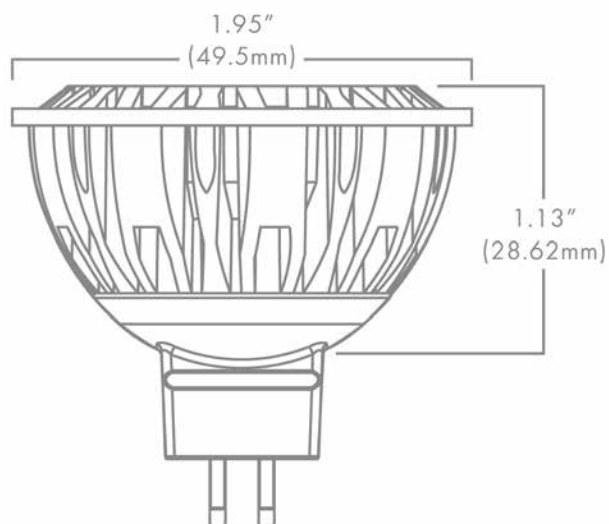
The Brilliance MR16 Bi-Pin is designed to fit in standard low voltage MR16 fixtures and offers a long lamp life. These LEDs are thermally engineered to operate in enclosed fixtures and provide added security by automatically cooling down and reducing lumen output when exposed to extreme heat, such as air temperatures above 125 °F. There is no color shift when lumen output is reduced. Dimmable with Brilliance Dimmer and most magnetic transformers. Suitable for damp locations and for use in totally enclosed luminaires. Not for underwater use.

MR16 FEATURES

- Earth tone colored housing
- Enhanced ESD (Electro-Static Discharge) protection (IEC-61000-4-2)
- Heat overload protection technology
- Fully potted PC board
- UL Certified E360351

MR16 SPECS

Wattage	2W	4W	5W	7W
Volt Amps	3.34	6.35	8.33	11.11
Lumens	2700K 165 3000K - 5700K -	325 350 400	380 400 450	690 715 750
Beam Spread†	15°, 30°, 60°, 108°, 120°			
Kelvin Temperature	2700, 3000, 5700			
Color	Amber (4W and 5W in 30°) Red (5W in 30°) Blue (4W and 5W in 30°) Green (5W in 30°) Silver Green (5W in 30° and 60°)			
Operating Range	8-25 VAC/DC			
Replaces	10W, 20W, 35W, 50W Halogen			
CRI	85			
IP	61			
Lamp Life (hours)	50,000			
Warranty (years)	5			



Part Number: **MR16-X-XXXX-XXX**



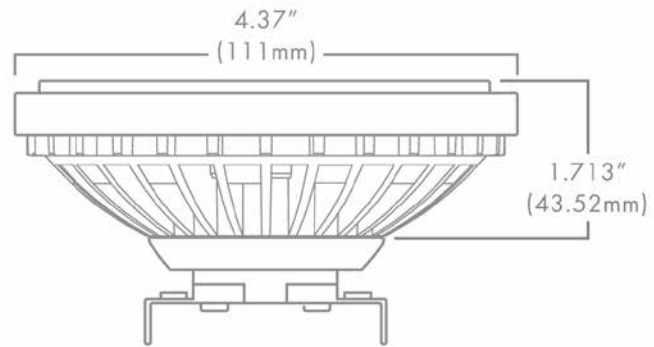
† Select Beam Spreads Available in Stock. Call 800-867-2108 for availability.

PAR36



DESCRIPTION

The Brilliance PAR36 lamp is designed to fit in standard low voltage PAR36 fixtures and offers a long lamp life. These LEDs are thermally engineered to operate in enclosed fixtures and provide added security by automatically cooling down and reducing lumen output when exposed to extreme heat, such as air temperatures above 125 °F. There is no color shift when lumen output is reduced. Dimmable with Brilliance Dimmer and most magnetic transformers. Suitable for wet locations and for use in totally enclosed luminaires. Not for underwater use.



PAR36 FEATURES

- Earth tone colored housing
- Enhanced ESD (Electro-Static Discharge) protection (IEC-61000-4-2)
- Heat overload protection technology
- Fully potted PC board
- UL Certified E360351

Part Number: **PAR36-X-XXXX-XXX**



PAR36 SPECS

Wattage	4W	7W	11W	15W
Volt Amps	6.67	10.77	15.94	21.43
Lumens	2700K	435	675	900
	3000K	445	700	950
	5700K	-	743	1333
Beam Spread†	15°, 30°, 60°, 120°			
Kelvin Temperature	2700, 3000, 5700			
Color†	Amber (7W and 11W in 30°) Red (7W and 11W in 30°) Blue (7W and 11W in 15° and 30°) Green (7W and 11W in 30°) Silver Green (7W and 11W)			
Operating Range	8-25 VAC/DC			
Replaces	20W, 35W, 50W Halogen			
CRI	85			
IP	68			
Lamp Life (hours)	50,000			
Warranty (years)	5			



† Select Beam Spreads Available in Stock. Call 800-867-2108 for availability.

STRIP LIGHT



DESCRIPTION

The Brilliance AC flexible Strip Light is rated for outdoor use. The LEDs on this Strip Light are encased in non-yellowing material. Brilliance Strip Light provides great accent lighting for stairs, railings, and overhangs, plus it installs easily. Incorporate it into a new project or connect it directly to an existing 8 to 16 VAC landscape lighting system. Dimmable with Brilliance Dimmer and most magnetic transformers.



STRIP LIGHT FEATURES

- Recommended max. length per power feed is 40 feet
- Available in 82.25 ft reels (25 meters) or 32.8 ft reels (10 meters)
- Enhanced ESD (Electro-Static Discharge) protection (IEC-61000-4-2)
- UL Certified E487030

Part Number: **BRI-SL3-XXXX-82**

BRI-SL3-XXXX-32

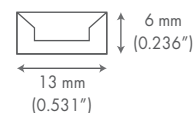
|
Kelvin

NEC® Article 411.5 (B): Lighting systems shall be installed not less than 3m (10ft) horizontally from the nearest edge of the water, unless permitted by Article 680.

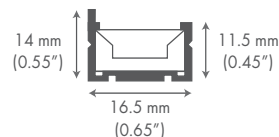
STRIP LIGHT SPECS

Wattage	1.8W per meter
Volt Amps	3.0 per ft
Lumens	45 per ft
Kelvin Temperature	2700, 3000, 5000
Color	Amber (82 ft. only) Blue (82 ft. only)
Operating Range	8-16 VAC/DC
CRI	80
IP	65
Lamp Life (hours)	35,000
Warranty (years)	3

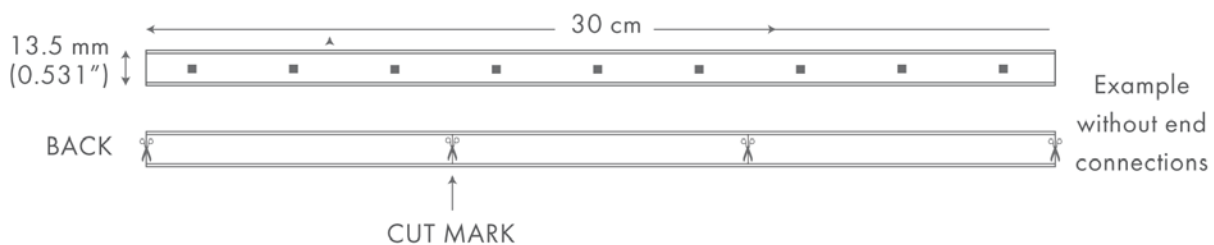
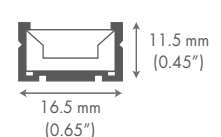
Strip Light



Channel w/
Groove & Glare Shield



Channel w/
Groove



STRIP LIGHT ACCESSORIES



Double-Sided Connector Kit
 Part Number: BRI-SL-A-DSC
 1 - Double-sided connector
 2 - Clear plastic retainers
 2 - Metal anti-slip plates
 1 - Heat shrink tube



Jumper Connector Kit
 Part Number: BRI-SL-A-JC
 1 - Jumper connector (10")
 2 - Clear plastic retainers
 2 - Metal anti-slip plates
 2 - Heat-shrink tubes



90° Jumper Connector Kit
 Part Number: BRI-SL-A-90
 1 - Jumper connector (1")
 2 - Clear plastic retainers
 2 - Metal anti-slip plates
 2 - Heat-shrink tubes



Power Feed Kit
 Part Number: BRI-SL-A-PF
 1 - Power feed (10')
 1 - Clear plastic retainer
 1 - Metal anti-slip plate
 1 - Heat-shrink tube



T Power Feed Connector Kit
 Part Number: BRI-SL-A-T
 1 - "T" power feed connector (3.2')
 2 - Clear plastic retainers
 2 - Metal anti-slip plates
 2 - Heat-shrink tubes



End Cap Kit
 Part Number: BRI-SL-A-EC
 1 - End cap
 1 - Light shield
 1 - Heat-shrink tube



**Strip Light Channel
 w/ Groove**
 Part Number: BRI-SL-A-C
 1M (3.2') Channel sections
 5 - Screws



**Strip Light Channel
 w/ Groove & Glare Shield**
 Part Number: BRI-SL-A-C2
 1M (3.2') Channel sections
 5 - Screws



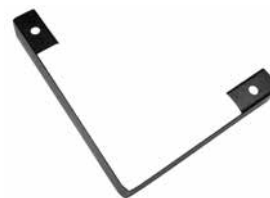
Clip & Screw Kit
 Part Number: BRI-SL-A-C&S
 50 - Plastic clips
 100 - Screws



Diffuser
 Part Number: BRI-SL-A-CD
 1M (3.2') section



Attachment Clip
 Part Number: BRI-SL-A-AC



Stealth Connector Shields
 Part Number: SL-SCS (8")
 Part Number: SL-SCSW/FACIA (8" w/Facia)

WAVE STRIP LIGHT



DESCRIPTION

Brilliance Wave Strip Light is made specifically to flex left and right for indoor or outdoor applications with a radius and are perfect for fire pits, stairs, hardscaping, and overhangs. Just like our original strip light, the LEDs are encased in a UV protected material and can be incorporated to a new project or connected directly to an existing 8 to 16 VAC landscape lighting system. Dimmable with Brilliance Dimmer and most magnetic transformers. Reference our product and installation guide for assembly instructions and best practices.



Part Number: **BRI-WAVE-2700-65**

|
Kelvin

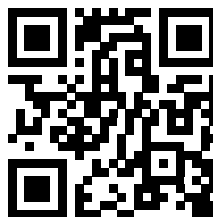
WAVE STRIP LIGHT FEATURES

- Recommended max. length per power feed is 22 feet
- Available in 65.62 ft reels (20 meters)
- Enhanced ESD (Electro-Static Discharge) protection (IEC-61000-4-2)
- UL Certified E487030

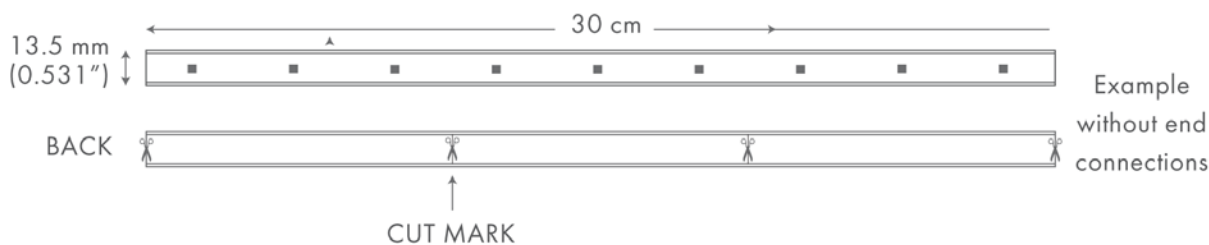
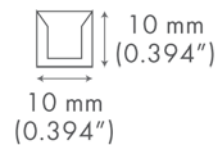
NEC® Article 411.5 (B): Lighting systems shall be installed not less than 3m (10ft) horizontally from the nearest edge of the water, unless permitted by Article 680.

WAVE STRIP LIGHT SPECS

Wattage	4.5W per meter
Volt Amps	2.5 per ft
Lumens	30 per ft
Kelvin Temperature	2700
Operating Range	8-16 VAC/DC
CRI	80
IP	65
Lamp Life (hours)	35,000
Warranty (years)	3



Best Practices Video



WAVE STRIP LIGHT ACCESSORIES



Power Feed Kit
Part Number: BRI-WAVE-A-PF
1 - Power Feed w/ Metal Cover
1 - Metal Anti-Slip Plate



Jumper Connector Kit
Part Number: BRI-WAVE-A-JC
1 - Jumper Connector
2 - Metal Covers
2 - Metal Anti-Slip Plates



End Cap Kit
Part Number: BRI-WAVE-A-EC
1 - End Cap
1 - Metal Anti-Slip Plate



Channel Mounting Plate
Part Number: BRI-WAVE-A-MP
1 - Mounting Plate
1 - Screw



Channel - Bendable
Part Number: BRI-WAVE-A-BC
1M (3.2') Channel sections
1 - Bendable Channel
5 - Screws



Channel - Standard
Part Number: BRI-WAVE-A-SC
1M (3.2') Channel sections
1 - Standard Channel
5 - Screws

CANDELABRA EDGE FILAMENT



DESCRIPTION

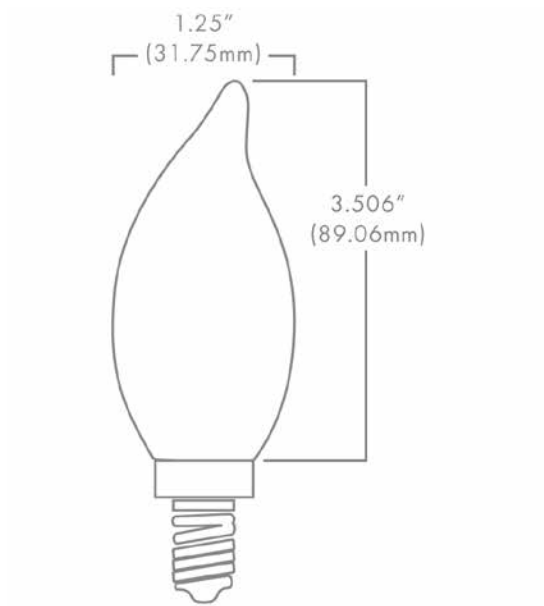
The Brilliance Candelabra Edge Filament lamp is a decorative light source and gives the effect of an original Edison lamp, making it great for indoor chandeliers and anywhere a warm light is desired. Dimmable with Brilliance Dimmer and most magnetic transformers.

CANDELABRA EDGE FILAMENT FEATURES

- Flame tip style
- Clear, omni-directional light source
- Elegant, exposed filament design
- UL Certified E360351

CANDELABRA EDGE FILAMENT SPECS

Wattage	2W	3.5W
Volt Amps	2.35	4.12
Lumens	2700K	105
	3000K	240
Kelvin Temperature	110	270
Operating Range	2700, 3000	
Replaces	12 VAC/DC	
CRI	40W Incandescent	
IP	90	
Lamp Life (hours)	64	
Warranty (years)	30,000	
	3	



Part Number: **CAN-FIL-EDGE-F-XX-XXXX-C-12**

Wattage Kelvin



S14 EDGE FILAMENT



DESCRIPTION

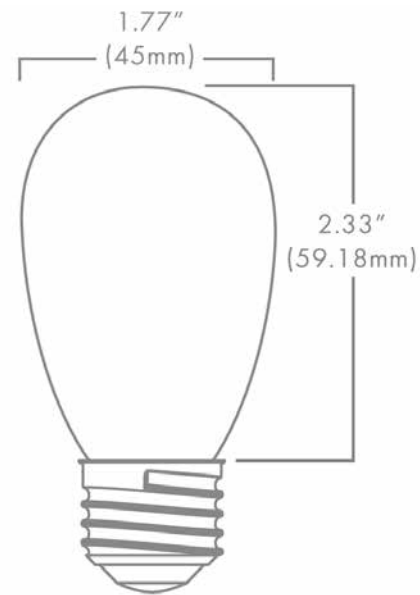
The Brilliance S14 Edge Filament is designed specifically for use in open outdoor fixtures where precision lighting and high color rendering is desired. This lamp is ideal for inverted bistro style lighting. Dimmable with Brilliance Dimmer and most magnetic transformers.

S14 EDGE FILAMENT FEATURES

- Clear, omni-directional light source
- Elegant, exposed filament design
- UL Certified E360351

S14 EDGE FILAMENT SPECS

Wattage	1W	2W	3.5W	
Volt Amps	1.33	2.67	3.93	
Lumens	2700K	75	125	240
	3000K	-	135	270
Kelvin Temperature	2700, 3000			
Operating Range	12 VAC/DC			
CRI	95			
IP	64			
Lamp Life (hours)	30,000			
Warranty (years)	3			



Part Number: **S14-FIL-EDGE-XX-XXXX-12**

Wattage Kelvin



LOW VOLTAGE BISTRO STRING REEL

DESCRIPTION

The Brilliance Low Voltage Bistro String Reel comes in a 328 ft. spool (100m) and can be cut to length per your requirements. Use this low voltage bistro string with the corresponding low voltage string connection accessories for custom length bistro lighting. This string is for use with low voltage lamps only. Dimmable with Brilliance Dimmer and most magnetic transformers. Mounting cable and turnbuckles are not included. Connection accessories and lamps are sold separately.

LOW VOLTAGE BISTRO STRING REEL FEATURES

- Patented design (U.S. Patent D898986S)
- Uses 14 AWG cable and features a waterproof seal
- Two-way mounting holes at each lamp position eliminate the need for zip ties and creates a more secure installation for the life of the string lights

LOW VOLTAGE BISTRO STRING REEL SPECS

Operating Range	12VAC
Total Length	328 feet reel (100 meters) Can be cut to length
String Lead Length	At least 10 inches of lead required for connections
Distance Between Lamp Positions	24 inches between lamps
Includes	Low Voltage Bistro String (14 AWG)
Connection Accessories Available	Straight Connector: 1 per cable conversion T Connector: 1 per center feed End Cap: 1 per string end
Warranty (years)	2

S14 LAMP REQUIREMENTS

Lamp	1W, 12VAC	2W, 12VAC	3.5W, 12 VAC
Max. # of Lamps	75	50	30
Max. Wattage	125.25 with VA	117.5 with VA	117.9 with VA
Max. String Length	150 ft end-to-end	100 ft end-to-end	60 ft end-to-end



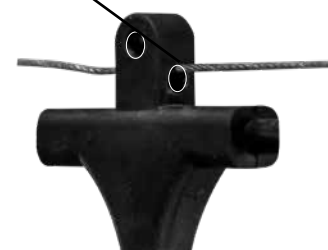
Part Number:

LOW-VOLTAGE-BISTRO-STRING-REEL

NEC® Article 411.5 (B): Lighting systems shall be installed not less than 3m (10ft) horizontally from the nearest edge of the water, unless permitted by Article 680.



Two-way mounting holes



LOW VOLTAGE BISTRO STRING STRAIGHT CONNECTOR

DESCRIPTION

The Low Voltage Bistro String Straight Connector is an accessory to customize the length of the Low Voltage Bistro String Reel only. Use with Brilliance Low Voltage Bistro String to convert low voltage landscape lighting cable to SO (stranded oil resistant) cable. Order one Low Voltage Bistro String Straight Connector for each instance in which you have to convert low voltage landscape lighting cable to SO cable.



Part Number:

**LOW-VOLTAGE-BISTRO-STRING-
STRAIGHT-CONNECTOR**

INSTALLING THE BISTRO STRING STRAIGHT CONNECTOR TO THE LANDSCAPE CABLE SIDE

1. Unscrew the plastic nut from the straight connector.
2. Use needle nose pliers to gently remove the two-hole rubber grommet from the throat coupler.
3. Unscrew the throat coupler from the center coupler.
4. Using a Philips screwdriver, unscrew the two cable terminals on either side from each other. The middle terminal is not used for two conductor landscape cable.
5. Strip the landscape cable approximately 1/2 inch.
6. Pass the landscape cable through the nut rounded side first.
7. Splitting the cable apart, insert each conductor through the holes of the two-hole rubber grommet.
8. Pass the landscape cable through the large side of the throat coupler with the fin side first.
9. Insert one side of the split cable into the open cable terminals and tighten the terminal screw. Repeat this step for the other side of the split cable.
10. Once both conductors have been attached, thread the throat coupler to the center coupler on the terminal side and screw them together to tighten.
11. Position the two-hole rubber grommet into the fin side of the throat coupler.
12. Thread the compression nut back on to the fin side of the throat coupler.
13. Hand tighten until the landscape cable has been compressed. Do not overtighten.

INSTALLING THE BISTRO STRING STRAIGHT CONNECTOR TO THE SO CABLE SIDE

1. Unscrew the plastic nut from the SO Cable side of the connection.
2. Use needle nose pliers to gently remove the one-hole rubber grommet from the throat coupler.
3. Unscrew the throat coupler from the center coupler.
4. Using a Philips screwdriver, unscrew the two cable terminals on either side from each other. The middle terminal is not used for two conductor SO cable.
5. Strip the SO cable to reveal the black and white conductors, approximately 1-1/2 inches.
6. Pass the plastic compression nut over the SO cable rounded side first.
7. Insert the SO cable through the hole of the rubber grommet.
8. Pass the SO cable through the small side of the throat coupler with the fin side first.
9. Insert the black and white conductors into the opened terminals. Tighten both terminal screws.
10. Once both conductors have been attached, thread the throat coupler to the center coupler terminal side and screw together to tighten.
11. Position the one-hole rubber grommet into the fin side of the throat coupler.
12. Thread the compression nut back on to the fin side of the throat coupler. Hand tighten until the SO cable has been compressed. Do not overtighten.

LOW VOLTAGE BISTRO STRING T CONNECTOR

DESCRIPTION

The Low Voltage Bistro String T Connector is an accessory to customize the length of the Low Voltage Bistro String Reel only. Use with Brilliance Low Voltage Bistro String for wherever you want to change directions, or when you need to combine two sections of SO (stranded oil resistant) cable. Order one Low Voltage Bistro String T Connector for each center feed used.



Part Number:

LOW-VOLTAGE-BISTRO-STRING-T-CONNECTOR

INSTALLING THE BISTRO STRING T CONNECTOR

1. Unscrew the plastic nut from the SO Cable side of the connection.
2. Use needle nose pliers to gently remove the one-hole rubber grommet from the throat coupler.
3. Unscrew the throat coupler from the center coupler.
4. Using a Philips screwdriver, unscrew the two cable terminals on either side from each other. The middle terminal is not used for two conductor SO cable.
5. Strip the SO cable to reveal the black and white conductors, approximately 1-1/2 inches.
6. Pass the plastic compression nut over the SO cable with the rounded side first.
7. Insert the SO cable through the hole of the rubber grommet.
8. Pass the SO cable through the large side of the throat coupler with the fin side first.
9. Insert the black and white conductors into the opened terminals. Tighten both terminal screws.
10. Once both conductors are attached, thread the throat coupler to the center on the terminal side and screw them together to tighten.
11. Position the one-hole rubber grommet into the fin side of the throat coupler.
12. Thread the compression nut back on to the fin side of the throat coupler. Hand tighten until the SO cable has been compressed. Do not overtighten.
13. Repeat these instructions for each side of the T connection.

LOW VOLTAGE BISTRO STRING END CAP

DESCRIPTION

The Low Voltage Bistro String End Cap is an accessory to customize the length of the Low Voltage Bistro String Reel only. Use with Brilliance Low Voltage Bistro String for wherever you have an end of SO (stranded oil resistant) cable. Order one Low Voltage Bistro String End cap for each string end.



Part Number:

LOW-VOLTAGE-BISTRO-STRING-END-CAP

INSTALLING THE BISTRO STRING END CAP

1. Examine the end of the SO cable.
2. Be certain that none of the conductors or strands of cable are touching each other.
3. Apply a small amount of silicone to the end of the SO cable.
4. Slide the end cap over the SO cable jacket to secure it. Refer to the silicone manufacturer's information for recommended cure time.



120VAC

**LINE
VOLTAGE**

Photograph courtesy of Refined Outdoor Lighting



CANDELABRA EDGE FILAMENT



DESCRIPTION

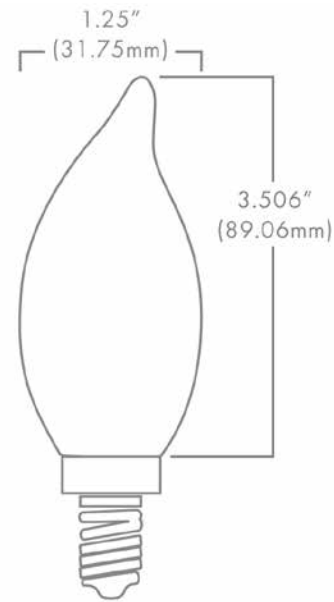
The Brilliance Candelabra Edge Filament lamp is a decorative light source and gives the effect of an original Edison lamp, making it great for indoor chandeliers and anywhere a warm light is desired.

CANDELABRA EDGE FILAMENT FEATURES

- Flame tip style
- Clear omni-directional light source
- Elegant, exposed filament design
- UL Certified E360351

CANDELABRA EDGE FILAMENT SPECS

Wattage	3.5W
Volt Amps	3.89
Lumens	240
Kelvin Temperature	2700
Operating Range	120 VAC
Replaces	40W Incandescent
CRI	90
IP	64
Lamp Life (hours)	30,000
Warranty (years)	3



Part Number: **CAN-FIL-EDGE-F-2700-C-120**



S14 EDGE FILAMENT



DESCRIPTION

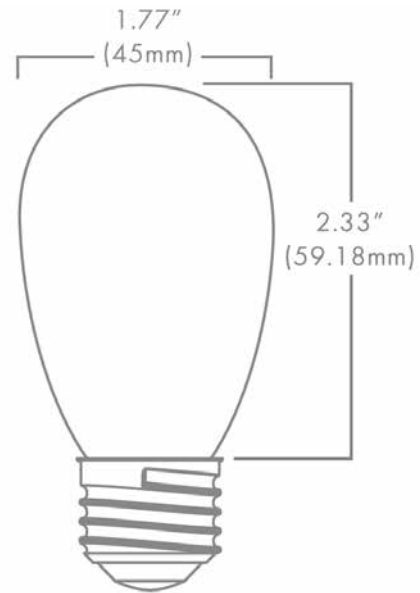
The Brilliance S14 Edge Filament is designed specifically for use in both open outdoor and indoor fixtures where precision lighting and high color rendering is desired, giving the effect of an original Edison lamp. This lamp is ideal for inverted bistro style lighting.

S14 EDGE FILAMENT FEATURES

- Clear, omni-directional light source
- Elegant, exposed filament design
- UL Certified E360351

S14 EDGE FILAMENT SPECS

Wattage	2.5W	3.5W
Volt Amps	2.78	3.89
Lumens	120	295
Kelvin Temperature	2700	
Operating Range	120 VAC	
CRI	95	
IP	64	
Lamp Life (hours)	30,000	
Warranty (years)	3	



Part Number: **S14-FIL-EDGE-X-XXXX-120**

Wattage Kelvin



A19 EDGE FILAMENT



DESCRIPTION

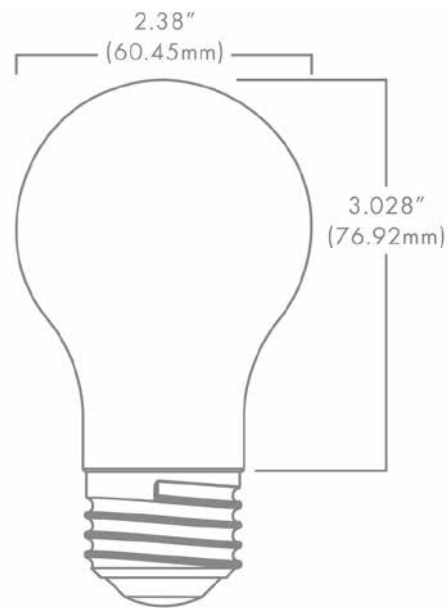
The Brilliance A19 Edge Filament lamp is a decorative light source and gives the effect of an original Edison lamp. This lamp is great for any place a warm light is desired.

A19 EDGE FILAMENT FEATURES

- Clear, omni-directional light source
- Elegant, exposed filament design
- UL Certified E360351

A19 EDGE FILAMENT SPECS

Wattage	6.5W
Volt Amps	7.22
Lumens	500
Kelvin Temperature	2700
Operating Range	120 VAC
Replaces	60W Incandescent
CRI	95
IP	64
Lamp Life (hours)	30,000
Warranty (years)	3



Part Number: **A19-FIL-EDGE-XXXX**

|
Kelvin



BLAZE CANDELABRA



DESCRIPTION

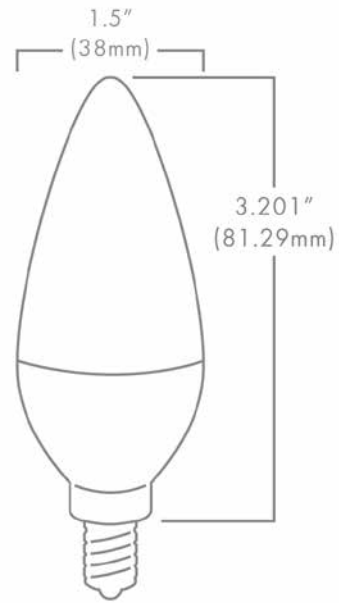
The Brilliance Blaze Candelabra is a specialty lamp designed specifically to create a real, flame-like effect. Perfect for coach lights or anywhere you want a warm, flickering light. The Blaze series is also offered in low voltage in a G4 option.

BLAZE CANDELABRA FEATURES

- Single lamp mode flickering flame effect
- UL Certified E360351

BLAZE CANDELABRA SPECS

Wattage	3W
Volt Amps	3.75
Lumens	30-150
Kelvin Temperature	1700-1900
Operating Range	120 VAC
IP	60
Lamp Life (hours)	30,000
Warranty (years)	3



Part Number: **BRI-BLAZE-CANDELABRA**



LINE VOLTAGE BISTRO STRING LIGHT KIT



DESCRIPTION

The Brilliance Line Voltage Bistro String Light Kit is designed with two-way mounting holes for easy installation. The connection points are weather sealed, making all 48 feet of string outdoor ready.

LINE VOLTAGE BISTRO STRING LIGHT KIT FEATURES

- Patented design (U.S. Patent D898986S)
- String features a waterproof seal
- Two-way mounting holes at each lamp position eliminate the need for zip ties and create a more secure installation for the life of the string lights
- ETL Listed 5020354



Part Number:

LINE-VOLTAGE-BISTRO-STRING-KIT

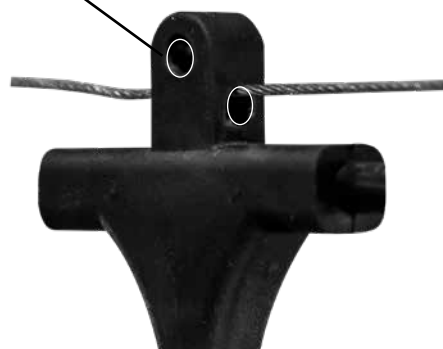
NEC® Article 411.5 (B): Lighting systems shall be installed not less than 3m (10ft) horizontally from the nearest edge of the water, unless permitted by Article 680.

LINE VOLTAGE BISTRO STRING LIGHT KIT

Operating Range	120VAC
Total Length	48 ft
String Lead Length	15 in. on both ends
Lamp Positions	24
Includes	24 S14 Filament, 2.5W, 2700K Lamps, Bistro String, 2 Replacement Fuses
Warranty (years)	2



Two-way mounting holes





LINE-VOLTAGE-BISTRO-STRING-KIT

TIPS FOR INSTALLING THE LINE VOLTAGE BISTRO STRING LIGHT KIT

1. Choose the best installation option for the environment. Hang from structures or install posts to hang the string lights.
2. Measure for length and map out the configuration. Include any zigzags or crossovers in your design.
3. Install the mounting hardware to the structure.
4. While the string is on the ground, install the included S14 lamps.
5. Thread the mounting cable through the mounting holes, then pull the string with lamps taut and hang it from the mounting hardware. The two-way mounting options alleviate the need for using zip ties to secure the cable and string together.
6. After all the lamps are installed, turn on the power.

NOTE: If the string stops energizing over time, first check the power source. If you confirm power is still available, check the fuse in the cord end. Two replaceable fuses are included in the kit.



SMART PRODUCTS & CONTROLS



Photograph courtesy of Sam Alvis



ACTIVATE INTELLIGENT LIGHT

Scan the QR Code below to download Brilliance Smart!

With Brilliance Smart, you have control over all of our Smart Products from anywhere in the world by using an iOS or Android device.

Smart Products:

- Chameleon Programming Puck
- Chameleon G4 Bi-Pin
- Chameleon MR16
- Chameleon PAR36
- Wi-Fi Smart Socket 3
- Sector Selector

For more information, visit:
brillianceled.com/smart-products



ACTIVATE INTELLIGENT LIGHT



CHAMELEON PROGRAMMING PUCK



DESCRIPTION

The Brilliance Chameleon Programming Puck is a handy tool to set up any Chameleon series lamp, using any 12-volt AC or DC power source. Battery pack and batteries included.



Part Number:

CHAMELEON-PROGRAMMING-PUCK

CHAMELEON G4 BI-PIN



DESCRIPTION

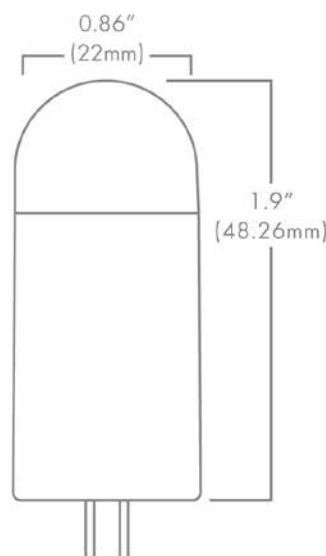
Bring color to your lighting design with Brilliance Chameleon G4 lamps. Control dimming from 2200K to 5700K and a wide range of reds, greens, and blues from your smart device. Suitable for damp locations and for use in totally enclosed luminaires. Not for underwater use.

CHAMELEON G4 BI-PIN FEATURES

- Wi-Fi enabled
- RGBW - 2200K to 5700K and a wide range of reds, greens, and blues
- Control landscape lighting from your smart phone
- Use Brilliance Smart app to change lamp settings
 - Turn on and off
 - Set and change colors
 - Set and control dimming
 - Set and control schedules
 - Set astronomical timers for sunrise/sunset
 - Program custom scenes to run with one tap
 - Control devices independently or as a group
- Android and iOS compatible

CHAMELEON G4 BI-PIN SPECS

Wattage	2.5W
Volt Amps	4.17
Lumens	190-250
Kelvin Temperature	2200-5700
Beam Spread	Omni-directional
Color	RGBW
Input Voltage	8-18 VAC/DC/60Hz
Replaces	20W Halogen
CRI	80
IP	65
Lamp Life (hours)	50,000
Warranty (years)	5



Part Number: **BRI-G4-CHM-2.5-RGBW**



TECHNICAL REQUIREMENTS: Must have consistent 2.4 GHz Wi-Fi signal at the installation location with dBm strength of -70 or better. See the Brilliance Smart Products Guide for more information and troubleshooting.



Brilliance Smart app



Chameleon Set Up



CHAMELEON MR16



DESCRIPTION

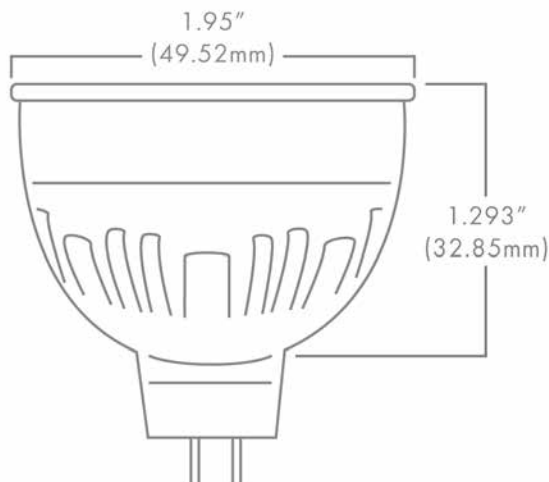
Bring color to your lighting design with Brilliance Chameleon MR16 lamps. Control dimming from 2200K to 5700K and a wide range of reds, greens, and blues from your smart device. Suitable for damp locations and for use in totally enclosed luminaires. Not for underwater use.

CHAMELEON MR16 FEATURES

- Wi-Fi enabled
- RGBW - 2200K to 5700K and a wide range of reds, greens, and blues
- Control landscape lighting from your smart phone
- Use Brilliance Smart app to change lamp settings
 - Turn on and off
 - Set and change colors
 - Set and control dimming
 - Set and control schedules
 - Set astronomical timers for sunrise/sunset
 - Program custom scenes to run with one tap
 - Control devices independently or as a group
- Android and iOS compatible

CHAMELEON MR16 SPECS

Wattage	6W
Volt Amps	9.23
Lumens	328-441
Kelvin Temperature	2200-5700
Beam Spread	38°
Color	RGBW
Input Voltage	11-18 VAC/DC/60Hz
Replaces	35W Halogen
CRI	80
IP	61
Lamp Life (hours)	50,000
Warranty (years)	5



Part Number: **BRI-MR16-CHM-6-RGBW-38**



TECHNICAL REQUIREMENTS: Must have consistent 2.4 GHz Wi-Fi signal at the installation location with dBm strength of -70 or better. See the Brilliance Smart Products Guide for more information and troubleshooting.



Brilliance Smart app



Chameleon Set Up



CHAMELEON PAR36



DESCRIPTION

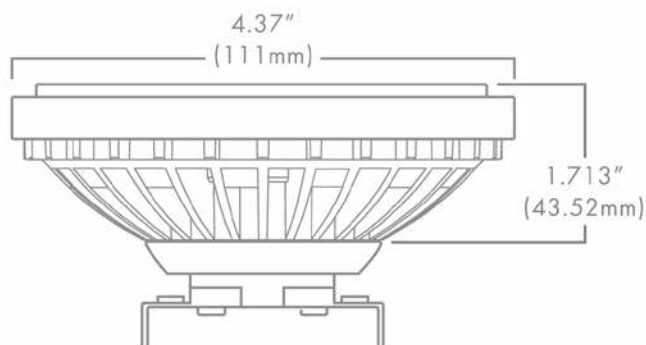
Bring color to your lighting design with Brilliance Chameleon PAR36 lamps. Control dimming from 2200K to 5700K and a wide range of reds, greens, and blues from your smart device. Suitable for damp locations and for use in totally enclosed luminaires. Not for underwater use.

CHAMELEON PAR36 FEATURES

- Wi-Fi enabled
- RGBW - 2200K to 5700K and a wide range of reds, greens, and blues
- Control landscape lighting from your smart phone
- Use Brilliance Smart app to change lamp settings
 - Turn on and off
 - Set and change colors
 - Set and control dimming
 - Set and control schedules
 - Set astronomical timers for sunrise/sunset
 - Program custom scenes to run with one tap
 - Control devices independently or as a group
- Android and iOS compatible

CHAMELEON PAR36 SPECS

Wattage	9W
Volt Amps	13.85
Lumens	442-686
Kelvin Temperature	2200-5700
Beam Spread	15°, 30°, 60°
Color	RGBW
Input Voltage	8-25 VAC/DC/60Hz
Replaces	35W Halogen
CRI	80
IP	67
Lamp Life (hours)	50,000
Warranty (years)	5



Part Number: **BRI-PAR36-CHM-9-RGBW-XX**

Beam spread



TECHNICAL REQUIREMENTS: Must have consistent 2.4 GHz Wi-Fi signal at the installation location with dBm strength of -70 or better. See the Brilliance Smart Products Guide for more information and troubleshooting.



Brilliance Smart app



Chameleon Set Up



WI-FI SMART SOCKET 3.0

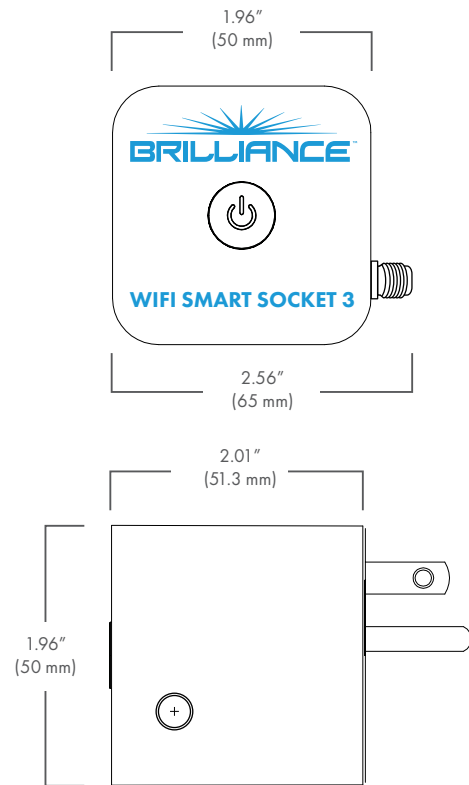


DESCRIPTION

The Brilliance Wi-Fi Smart Socket 3.0 is designed specifically to pair with a landscape lighting transformer in lieu of a traditional photocell, however you can also use it in outdoor enclosures for lighting and decor, and even indoors for any electronic device. Remotely control your lighting and electronics from anywhere in the world with the Brilliance Smart app.

WI-FI SMART SOCKET 3.0 FEATURES

- New antenna promotes improved Wi-Fi signal
- Plugs directly into 120 VAC outlet
- Made for indoor or outdoor enclosures
- Conformal coating circuits protect against humidity
- Control landscape lighting and electronics from Brilliance Smart App
 - Turn on or off from anywhere
 - Set and change timers
 - Share devices with family
 - Use third-party controls like Alexa and Google Assistant
- Android and iOS compatible
- ETL Listed in US and Canada
- Easy access to instruction via QR code on top



Part Number:

BRI-WIFI-SMART-SOCKET-3

WI-FI SMART SOCKET 3.0 SPECS

Operating Range	14°F to 104°F
Capacity	10 Amps
Input Voltage	120 VAC
ETL Listed Mark	5025307
IP	61
Warranty (years)	2



TECHNICAL REQUIREMENTS: Must have consistent 2.4 GHz Wi-Fi signal at the installation location with dBm strength of -70 or better. See the Brilliance Smart Products Guide for more information and troubleshooting. Must be placed in landscape lighting transformer or in a covered receptacle box.

BRILLIANCE LED DIMMER



DESCRIPTION

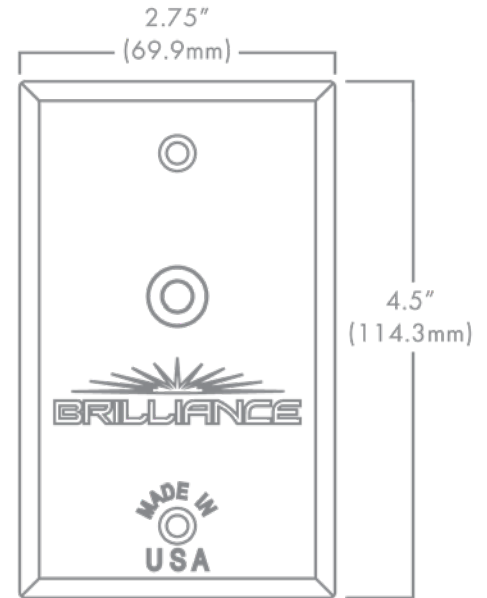
The Brilliance LED Dimmer provides 12 VAC dimming for up to 120 Watts. This unit can be mounted next to the 12 VAC transformer or anywhere in the field, and is compatible with all Brilliance LED lamps. Note that the Dimmer range may vary depending upon load that is applied. Made in America.

BRILLIANCE LED DIMMER FEATURES

- Installs in single-gang deep junction box on the low-voltage side of magnetic step-down transformer
- Includes: Dimmer Plate; Gasket; Wire Nuts; Plate Screws; Spare Fuse; Set Up Instructions

BRILLIANCE LED DIMMER SPECS

Wattage	120
Operating Range	12-15 VAC
Capacity	10 Amps
Minimum Load	None
IP	63
Warranty (years)	3

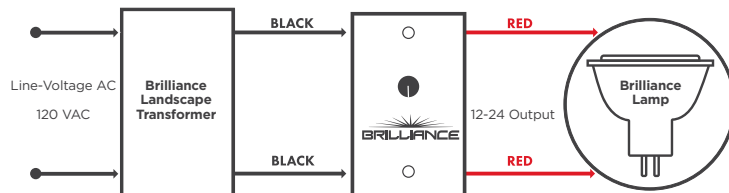


Part Number:

12-VAC-BRILLIANCE-DIMMER-SWITCH



WIRING DIAGRAM



TECHNICAL REQUIREMENTS: Always use the supplied gasket to protect against water ingress. In applications where the environment can be extremely wet, we recommend using a cover to protect against water ingress.

TRANSFORMERS



DESCRIPTION

The Brilliance Transformer features a high-quality, stainless steel case and includes multi taps to accommodate voltage drop. Available in 75, 150, 300, and 600 watts, these transformers are sure to support any size of project.

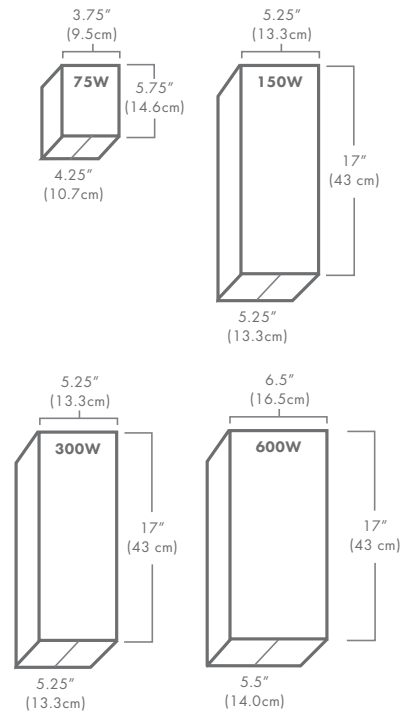
Pair with the Smart Socket 3.0 (sold separately) for astronomical timing via the Brilliance Smart app.

Pair with a Photocell (sold separately) for technology-free astronomical timing.

Create up to four zones on a single transformer with up to 200 Watts per sector with the award-winning Sector Selector (sold separately).

TRANSFORMER FEATURES

- UL 1838 Certified
- Secondary circuit breaker
- Two knockout sizes for conduit
- Removable bottom & 4ft Grounded plug
- Canted terminal block for easy access



Part Number:
BRI-XFORMER-XXX

Wattage



75W



150W



300W



600W



BRI-XFORMER-300

TRANSFORMER SPECS

Wattage	75	150	300	600
Finish	Stainless Steel	Stainless Steel	Stainless Steel	Stainless Steel
Timer	Included	Compatible	Compatible	Compatible
Secondary Circuit Breaker	Red	Orange	White	Circuit #1 & Circuit #2, White
Multi Tap	12V, 15V	12V, 13V, 14V, 15V	12V, 13V, 14V, 15V	12V, 14V, 16V, 18V, 20V, 22V
Dimensions (in.)	3.75 x 5.75 x 4.25	5.25 x 17 x 5.25	5.25 x 17 x 5.25	6.5 x 17 x 5.5
Dimmable	On Primary Side	On Primary Side	On Primary Side	On Primary Side
Warranty	Lifetime	Lifetime	Lifetime	Lifetime

TECHNICAL REQUIREMENTS: Design and plan lighting systems with volt amps in mind. Use the Brilliance Volt Amps chart to estimate the total draw on the system and choose the appropriate size of transformer accordingly.

BRILLIANCE RELAY



DESCRIPTION

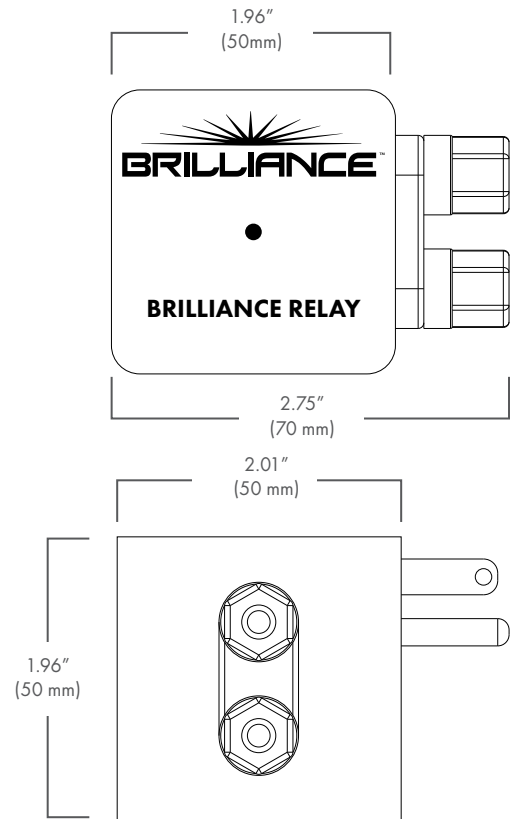
The Brilliance Relay is a switch that allows you to control another landscape lighting transformer down the line with a single timing device, like a photocell or a Brilliance Smart Socket 3.0. You can use as many Brilliance Relays as needed in a system, and all the Relays in the system use the same initial timing device. This is helpful when you need to synchronize multiple transformers to operate at the same time. The 12-15 VAC connection activates the on/off function of the Relay device.

BRILLIANCE RELAY FEATURES

- Designed specifically for landscape lighting transformers
- Plugs directly into 120 VAC outlet
- Ensures the entire system is timed the same since they all use the same timing device
- Conformal coating circuits protect against the elements
- ETL Listed in US and Canada
- Easy access to instruction via QR code on top

BRILLIANCE RELAY SPECS

Input Voltage	120 VAC
Frequency	50/60 Hz
Operating Range	32°F to 131°F
Wattage	1200W
Capacity	10 Amps
Minimum Load	None
IP	50
Warranty (years)	3



Part Number:
BRI-RELAY

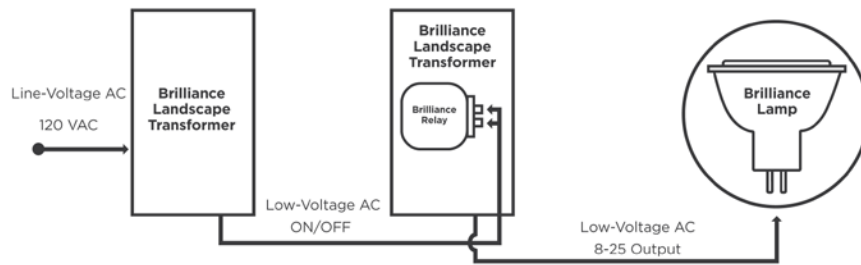


TECHNICAL REQUIREMENTS: For indoor use or use in an electrical enclosure, such as a transformer or a junction box. Directly plug in with the main supply. See the Brilliance Relay Product and Installation Guide for more information.

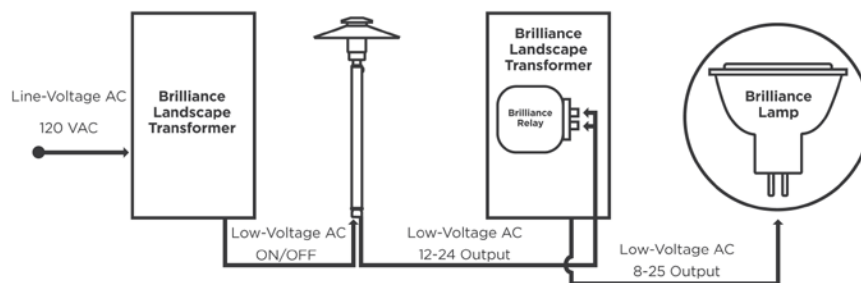


BRI-RELAY

WIRING DIAGRAM EXAMPLE FROM ANOTHER TRANSFORMER



WIRING DIAGRAM EXAMPLE FROM A FIXTURE



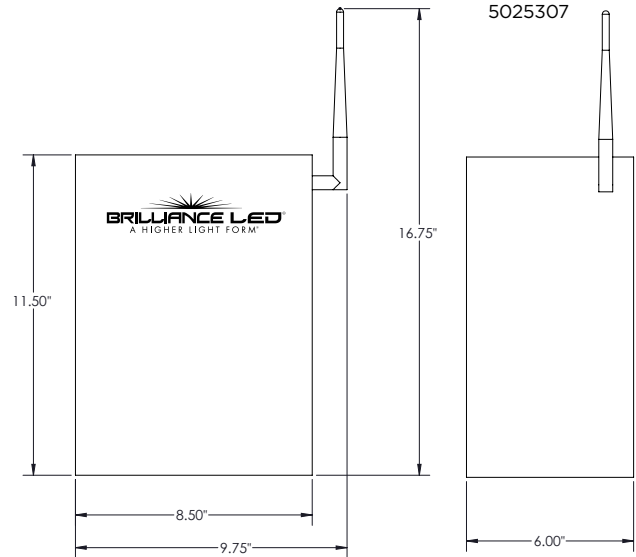
SECTOR SELECTOR



DESCRIPTION

Use the Brilliance Sector Selector to create specific sectors or zones that can be controlled independently from a single transformer. The Sector Selector can split a single transformer into four separate zones with up to 200 watts to each sector.

Use these zones to separate lighting schedules and scenarios to create special scenes or layers of light in your landscaping. For example, separate a front yard from a back yard, or independently control lighting for water/architectural features, outdoor kitchens, around pool and spa areas, outdoor decks or seating areas, or path and garden lighting.



Part Number:

BRI-SECTOR-SELECTOR

SECTOR SELECTOR FEATURES

- Compatible with any transformer and works on AC/DC
- Create up to four zones on a single transformer, with up to 200 Watts per sector, and manage with the Brilliance Smart App
- Fitted with two 3/4" PVC conduit adapters to accommodate four 12-2 AWG cables
- Installs on the low-voltage side of magnetic transformer
- Unit receives its power through Sector 1 and draws 5 Watts in order to function
- Includes: Sector Selector Enclosure; (4) Enclosure Mounting Tabs with Screws; (4) Exterior Mounting Anchors with Screws; High Range Antenna; (20) U Connectors; (2) Terminal Covers; Sector Chart; Product and Installation Guide

2022 NEW PRODUCT CONTEST Winner
Irrigation Association

GOLD | Landscape Lighting Category



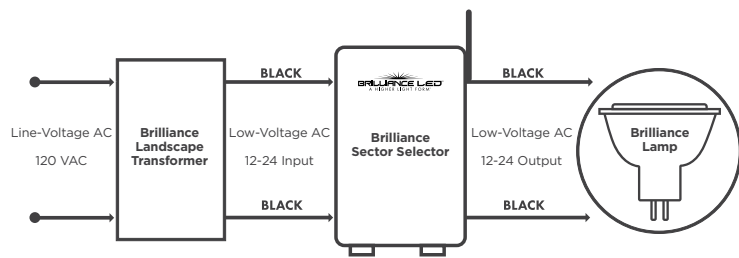
SECTOR SELECTOR SPECS

Wattage	200 per Sector
Input Voltage	12-24 VAC/DC
Capacity	800W
Minimum Load	None
IP	65
Warranty (years)	3

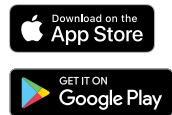


BRI-SECTOR-SELECTOR, BRI-XFORMER-300

WIRING DIAGRAM



Brilliance Smart app



INSTALLATION AND OPERATIONAL REQUIREMENTS: See the Product Guide for full installation and operational requirements and instructions. Before installing this unit, be sure that the transformer is powered off. The Sector Selector door must be closed and latched during operation. Before installing lamps, ensure the transformer is turned off. Hotplugging lamps may cause electrical overstress.

TECHNICAL REQUIREMENTS: Must have consistent 2.4 GHz Wi-Fi signal at the installation location with dBm strength of -70 or better. See the Brilliance Smart Products Guide for more information and troubleshooting regarding the Brilliance Smart App.

METAL WORKS

LANDSCAPE LIGHTING FIXTURES





VERSA BEAM



Metal Works Website

VERSA BEAM Modular Integrated Fixture



DESCRIPTION

The Brilliance Versa Beam is designed to be an easy-to-install, versatile light source. The Versa Beam can be used to achieve nearly any lighting configuration in landscape lighting designs. Because of its modular design, the Versa Beam can be used in hanging applications, hardscape applications, in ground applications, and overall landscape lighting. It provides indirect light for interest, as well as safety. It is dimmable with the Brilliance Dimmer and most magnetic transformers. ETL Certified for UL 1838 and CSA C22.2 Standards.

All configuration options use the same light engine with 3W, 180 lumen output, 8-15 VAC, and 90 CRI. The brass light engine housing ensures the Versa Beam dissipates heat efficiently while withstanding harsh elements and is rated IP 65. Best of all, the Versa Beam comes fully assembled with finish and configuration option of your choice already attached, so it is ready to use out of the box.

If used as a directional light, the 30 degree optic is pre-installed. If you prefer the 15, or 60 degrees, choose optic of your choice from the interchangeable options, or remove the optic for a wider beam angle. Then, simply install the fixture in one of its many applications.

In hardscape and masonry applications, the Versa Beam is designed to be recessed into standard 1" electrical conduit, making rough-ins simple, without the need for complicated back boxes or pour sleeves.

Standard Versa Beam Light Engine



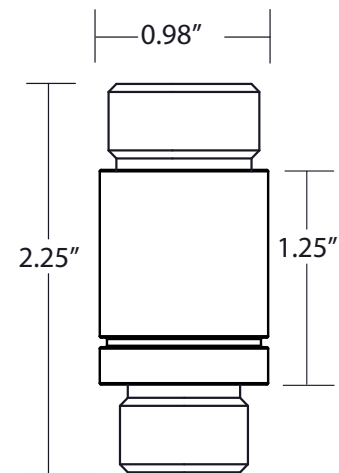
Brass (BR)



Nickel (NI)



Brass + Black (BK)



Standard Versa Beam Light Engine

VERSA BEAM







Use	Areas with Elevation Changes, Hardscape, Hanging or Overall Landscape Lighting
Finish	Brass, Nickel, Brass + Black
Includes	Versa Beam Light Engine, 12ft. Lead, See each configuration for additional items included
Warranty	5 Year Warranty on Versa Beam Fixtures



VERSA BEAM CONFIGURATIONS

2700K

3000K

<p>VB-01</p>	<p>CAP: Uplighting applications <i>Includes Cap, Light Engine, Optics (15°, 30°, 60°), Honeycomb Louver, & Bamboo/Polypropylene Mounting Stake</i></p>	<p>VB-01-BR-2700 VB-01-BK-2700 VB-01-NI-2700</p>	<p>VB-01-BR-3000 VB-01-BK-3000 VB-01-NI-3000</p>	
<p>VB-02</p>	<p>ROUND FLANGE: Up lighting, path marker lighting, or recessed lighting applications <i>Includes Round Flange, Light Engine, Optics (15°, 30°, 60°), & Honeycomb Louver</i></p>	<p>VB-02-BR-2700 VB-02-BK-2700 VB-02-NI-2700</p>	<p>VB-02-BR-3000 VB-02-BK-3000 VB-02-NI-3000</p>	
<p>VB-03</p>	<p>SQUARE FLANGE: Up lighting, path marker lighting, or recessed lighting applications <i>Includes Square Flange, Light Engine, Optics (15°, 30°, 60°), & Honeycomb Louver</i></p>	<p>VB-03-BR-2700 VB-03-BK-2700 VB-03-NI-2700</p>	<p>VB-03-BR-3000 VB-03-BK-3000 VB-03-NI-3000</p>	
<p>VB-04</p>	<p>6" ACRYLIC BUBBLE ROD: Down lighting and ornamental lighting applications <i>Includes 6" Acrylic Bubble Rod, Light Engine, Hanging Loop, & Bamboo/Polypropylene Mounting Stake</i></p>	<p>VB-04-BR-2700 VB-04-BK-2700 VB-04-NI-2700</p>	<p>VB-04-BR-3000 VB-04-BK-3000 VB-04-NI-3000</p>	
<p>VB-05</p>	<p>12" ACRYLIC BUBBLE ROD: Down lighting and ornamental lighting applications <i>Includes 12" Acrylic Bubble Rod, Light Engine, Hanging Loop, & Bamboo/Polypropylene Mounting Stake</i></p>	<p>VB-05-BR-2700 VB-05-BK-2700 VB-05-NI-2700</p>	<p>VB-05-BR-3000 VB-05-BK-3000 VB-05-NI-3000</p>	
<p>VB-06</p>	<p>PERFORATED SHIELD: Down lighting and accent lighting applications <i>Includes Perforated Shield, Light Engine, Hanging Loop</i></p>	<p>VB-06-BR-2700 VB-06-BK-2700 VB-06-NI-2700</p>	<p>VB-06-BR-3000 VB-06-BK-3000 VB-06-NI-3000</p>	
<p>VB-07</p>	<p>ROUND 4 WINDOW: Path marker applications <i>Includes Round 4 Window, Light Engine</i></p>	<p>VB-07-BR-2700 VB-07-BK-2700 VB-07-NI-2700</p>	<p>VB-07-BR-3000 VB-07-BK-3000 VB-07-NI-3000</p>	
<p>VB-08</p>	<p>SQUARE 4 WINDOW: Path marker applications <i>Includes Square 4 Window, Light Engine</i></p>	<p>VB-08-BR-2700 VB-08-BK-2700 VB-08-NI-2700</p>	<p>VB-08-BR-3000 VB-08-BK-3000 VB-08-NI-3000</p>	
<p>VB-09</p>	<p>ROUND EYEBROW: Path marker lighting and hardscape accent lighting applications <i>Includes Round Eyebrow, Light Engine</i></p>	<p>VB-09-BR-2700 VB-09-BK-2700 VB-09-NI-2700</p>	<p>VB-09-BR-3000 VB-09-BK-3000 VB-09-NI-3000</p>	
<p>VB-10</p>	<p>SQUARE EYEBROW: Path marker lighting and hardscape accent lighting applications <i>Includes Round Eyebrow, Light Engine</i></p>	<p>VB-10-BR-2700 VB-10-BK-2700 VB-10-NI-2700</p>	<p>VB-10-BR-3000 VB-10-BK-3000 VB-10-NI-3000</p>	
<p>VB-11</p>	<p>KNUCKLE, SHIELD, AND CAP: Directional lighting, up lighting, or down lighting if used with a standard mount <i>Includes Knuckle, Shield, Cap, Light Engine, Optics (15°, 30°, 60°), & Honeycomb Louver, & Bamboo/Polypropylene Mounting Stake</i></p>	<p>VB-11-BR-2700 VB-11-BK-2700 VB-11-NI-2700</p>	<p>VB-11-BR-3000 VB-11-BK-3000 VB-11-NI-3000</p>	

VERSA BEAM SOIL APPLICATIONS



VERSA BEAM OPTICS INSTRUCTIONS

The 30 degree optic is pre-installed. If you prefer the 15, or 60 degrees, choose optic of your choice from the interchangeable options, or remove the optic for a wider beam angle. Then, simply install the fixture in one of its many applications.

1. Remove the accessory cap on the top of the unit.
2. Choose the Optic lens for your application (lenses available in 15°, 30°, and 60° beam angles).
3. Place the Optic over the diode. For a wider beam angle, do not use an Optic.
4. Place the Optic Louver Retention Ring over the Optic.
5. Set the Honeycomb Louver on the Optic Louver Retention Ring, if applicable.
6. Thread the corresponding accessory cap over the Optic and Hex Louver.

SOFT SOIL APPLICATIONS: INSTALLING THE GROUND STAKE & FIXTURE

1. Connect the power cable from the light engine to the landscape cable.
2. Lay the power cable into the slotted relief on the stake.
3. Press the light engine and stake into the ground.
4. Use a level to ensure the top of the stake is level with the ground.
5. Use a good solid, mechanical cable connection to make all cable connections.
6. For all cable connections, follow the manufacturer’s guidelines and installation procedures.

HARD SOIL APPLICATIONS: INSTALLING THE GROUND STAKE & FIXTURE

1. Dig a hole approximately 4” wide by 10” deep and gently tap the stake into the ground with a rubber mallet.
2. Use a level to ensure the top of the stake is level with the ground.
3. Install the light engine onto the stake and lay the power cable into the slotted relief on the stake.
4. Connect the power cable from the light engine to the landscape cable.
5. Press the light engine and stake into the hole.
6. Use a good solid, mechanical cable connection to make all cable connections.
7. For all cable connections, follow the manufacturer’s guidelines and installation procedures.



VB-01 | Cap

Includes Cap, Light Engine, Optics (15°, 30°, 60°), Honeycomb Louver, & Bamboo/Polypropylene Mounting Stake

	2700K	3000K
Brass	VB-01-BR-2700	VB-01-BR-3000
Black Brass	VB-01-BK-2700	VB-01-BK-3000
Nickel	VB-01-NI-2700	VB-01-NI-3000



VB-11 | Knuckle, Shield, Cap

Includes Knuckle, Shield, Cap, Light Engine, Optics (15°, 30°, 60°), Honeycomb Louver, & Bamboo/Polypropylene Mounting Stake

	2700K	3000K
Brass	VB-11-BR-2700	VB-11-BR-3000
Black Brass	VB-11-BK-2700	VB-11-BK-3000
Nickel	VB-11-NI-2700	VB-11-NI-3000

VERSA BEAM HANGING APPLICATIONS



DOWN LIGHT/HANGING APPLICATIONS: INSTALLING WITH THE HANGING LOOP

The Hanging Loop is pre-installed. If you prefer the Bamboo/Polypropylene Mounting Stake, remove the Hanging Loop. Then, simply thread the stake on the fixture.

1. Thread the corresponding fixture cap over the Optic and Hex Louver.
2. Thread the Hanging Loop onto the cable end of the Versa Beam.
3. Leave drip loop on the cable for this application.
4. Use a good solid, mechanical cable connection to make all cable connections.
5. For all cable connections, follow the manufacturer's guidelines and installation procedures.



VB-04 | 6" Acrylic Bubble Rod

Includes 6" Acrylic Bubble Rod, Light Engine, Hanging Loop, & Bamboo/Polypropylene Mounting Stake

	2700K	3000K
Brass	VB-04-BR-2700	VB-04-BR-3000
Black Brass	VB-04-BK-2700	VB-04-BK-3000
Nickel	VB-04-NI-2700	VB-04-NI-3000



VB-06 | Perforated Shield

Includes Perforated Shield, Light Engine, & Hanging Loop

	2700K	3000K
Brass	VB-06-BR-2700	VB-06-BR-3000
Black Brass	VB-06-BK-2700	VB-06-BK-3000
Nickel	VB-06-NI-2700	VB-06-NI-3000



VB-05 | 12" Acrylic Bubble Rod

Includes 12" Acrylic Bubble Rod, Light Engine, Hanging Loop, & Bamboo/Polypropylene Mounting Stake

	2700K	3000K
Brass	VB-05-BR-2700	VB-05-BR-3000
Black Brass	VB-05-BK-2700	VB-05-BK-3000
Nickel	VB-05-NI-2700	VB-05-NI-3000

VERSA BEAM FLANGE + OPTIC APPLICATIONS



VERSA BEAM OPTICS INSTRUCTIONS

The 30 degree optic is pre-installed. If you prefer the 15, or 60 degrees, choose optic of your choice from the interchangeable options, or remove the optic for a wider beam angle. Then, simply install the fixture in one of its many applications.

1. Remove the accessory cap on the top of the unit.
2. Choose the Optic lens for your application (lenses available in 15°, 30°, and 60° beam angles).
3. Place the Optic over the diode. For a wider beam angle, do not use an Optic.
4. Place the Optic Louver Retention Ring over the Optic.
5. Set the Honeycomb Louver on the Optic Louver Retention Ring, if applicable.
6. Thread the corresponding accessory cap over the Optic and Hex Louver.

CONCRETE / HARDSCAPE APPLICATIONS: INSTALLING WITH THE FLANGE ACCESSORY

In hardscape and masonry applications, the Versa Beam is designed to be recessed into standard 1" electrical conduit (SCH40), making rough-ins simple, without the need for complicated back boxes or pour sleeves.

Use this method in both Horizontal and Vertical applications.

1. Use 1" SCH40 PVC conduit as a sleeve.
2. Cut the conduit to length.
3. Connect the power cable from the light engine to the landscape cable.
4. Use a good solid, mechanical cable connection to make all cable connections.
5. For all cable connections, follow the manufacturer's guidelines and installation procedures
6. Place a small amount of silicone on the underside of the flange cap.
7. Drop the Versa Beam light engine with the flange cap into the conduit.



VB-02 | Round Flange

Includes Round Flange, Light Engine, Optics (15°, 30°, 60°), & Honeycomb Louver



	2700K	3000K
Brass	VB-02-BR-2700	VB-02-BR-3000
Black Brass	VB-02-BK-2700	VB-02-BK-3000
Nickel	VB-02-NI-2700	VB-02-NI-3000



VB-03 | Square Flange

Includes Square Flange, Light Engine, Optics (15°, 30°, 60°), & Honeycomb Louver



	2700K	3000K
Brass	VB-03-BR-2700	VB-03-BR-3000
Black Brass	VB-03-BK-2700	VB-03-BK-3000
Nickel	VB-03-NI-2700	VB-03-NI-3000

VERSA BEAM FLANGE APPLICATIONS



CONCRETE / HARDSCAPE APPLICATIONS: INSTALLING WITH THE FLANGE ACCESSORY

In hardscape and masonry applications, the Versa Beam is designed to be recessed into standard 1" electrical conduit (SCH40), making rough-ins simple, without the need for complicated back boxes or pour sleeves.

Use this method in both Horizontal and Vertical applications.

1. Use 1" SCH40 PVC conduit as a sleeve.
2. Cut the conduit to length.
3. Connect the power cable from the light engine to the landscape cable.
4. Use a good solid, mechanical cable connection to make all cable connections.
5. For all cable connections, follow the manufacturer's guidelines and installation procedures
6. Place a small amount of silicone on the underside of the flange cap.
7. Drop the Versa Beam light engine with the flange cap into the conduit.



VB-07 | Round 4 Window

Includes Round 4 Window, Light Engine



2700K

3000K

Brass	VB-07-BR-2700	VB-07-BR-3000
Black Brass	VB-07-BK-2700	VB-07-BK-3000
Nickel	VB-07-NI-2700	VB-07-NI-3000



VB-08 | Square 4 Window

Includes Square 4 Window, Light Engine



2700K

3000K

Brass	VB-08-BR-2700	VB-08-BR-3000
Black Brass	VB-08-BK-2700	VB-08-BK-3000
Nickel	VB-08-NI-2700	VB-08-NI-3000



VB-09 | Round Eyebrow

Includes Round Eyebrow, Light Engine



2700K

3000K

Brass	VB-09-BR-2700	VB-09-BR-3000
Black Brass	VB-09-BK-2700	VB-09-BK-3000
Nickel	VB-09-NI-2700	VB-09-NI-3000



VB-10 | Square Eyebrow

Includes Square Eyebrow, Light Engine



2700K

3000K

Brass	VB-10-BR-2700	VB-10-BR-3000
Black Brass	VB-10-BK-2700	VB-10-BK-3000
Nickel	VB-10-NI-2700	VB-10-NI-3000

BLACK DIAMOND DIRECTIONAL LIGHT

DESCRIPTION

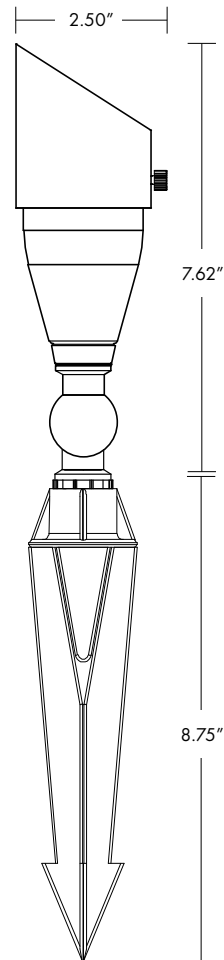
The Black Diamond Directional Light is available without a lamp or with an MR16 Ecostar lamp (4W 2700K 30° 350 Lumens) and is ready to install right out of the box. It includes a glass convex lens to prevent water build up. The spun brass construction features a baked enamel finish, and the design includes two O-rings to mitigate water and condensation intrusion. The directional light features an adjustment system, which allows for 25 points of articulation of the knuckle. A set screw secures the fixture's cap so it does not come off when pointed down, and the knob makes it easy to find and adjust in low light.

BLACK DIAMOND DIRECTIONAL LIGHT

Use	Uplighting, Grazing, Backlighting, and Wall Washing (When Used with 120 Degree Lamps Only)	
Finish	Black Brass Baked Enamel	
Includes	Lamp, Glass Convex Lens, and Mounting Stake	
Warranty	10 Year Warranty on Black Diamond Fixtures	
Order With Lamp	MR16 Ecostar, 4W, 2700K, 30°	BD-DL-ECO-MR16
Order Without Lamp	Fits MR16	BD-DL-ECO-MR16-NL



Black Brass
Baked Enamel





BD-DL-ECO-MR16

SOFT SOIL APPLICATIONS: INSTALLING THE GROUND STAKE & FIXTURE

1. Connect the power cable from the fixture body to the landscape cable.
2. Lay the power cable into the slotted relief on the stake.
3. Press the fixture and stake into the ground.
4. Use a level to ensure the top of the stake is level with the ground.

HARD SOIL APPLICATIONS: INSTALLING THE GROUND STAKE & FIXTURE

1. Unscrew the fixture body from the stake.
2. Dig a hole approximately 4" wide by 10" deep and gently tap the stake into the ground with a rubber mallet.
3. Use a level to ensure the top of the stake is level with the ground.
4. Reinstall the fixture body onto the stake and lay the power cable into the slotted relief on the stake.
5. Connect the power cable from the fixture body to the landscape cable.

ADJUSTING THE FIXTURE

1. Turn the thumbnut counter-clockwise to loosen the knuckle.
2. Rotate the fixture vertically to the preferred position.
3. Turn the thumbnut clockwise to hold it in the preferred position. Adjusting the fixture allows for dark sky ordinance applications.

BLACK DIAMOND PATH LIGHT

DESCRIPTION

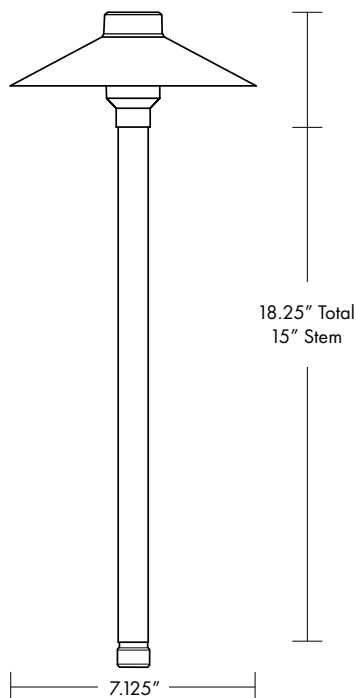
The Black Diamond Path Light is available without a lamp or with a G4 Ecostar lamp (3W 2700K Omni-directional 240 Lumens) to be installed. Simply install the lamp and screw on the Black Diamond Path Light top. The threaded top design allows the top to stay straight on the fixture, and also includes a white reflective surface underneath. The spun brass construction features a baked enamel finish. Overall height is 18.25".

BLACK DIAMOND PATH LIGHT

Use	Path, Area, and Garden Accent Lighting	
Finish	Black Brass Baked Enamel	
Includes	Lamp and ABS Mounting Stake	
Warranty	10 Year Warranty on Black Diamond Fixtures	
Order With Lamp	G4 Ecostar, 3W, 2700K	BD-PL-ECO-G4
Order Without Lamp	Fits G4 Bi-Pin	BD-PL-ECO-G4-NL



Black Brass
Baked Enamel





BD-PL-ECO-G4

SOFT SOIL APPLICATIONS: INSTALLING THE GROUND STAKE & FIXTURE

1. Connect the power cable from the fixture body to the landscape cable.
2. Lay the power cable into the slotted relief on the stake.
3. Press the fixture and stake into the ground.
4. Use a level to ensure the top of the stake is level with the ground.

HARD SOIL APPLICATIONS: INSTALLING THE GROUND STAKE & FIXTURE

1. Unscrew the fixture body from the stake.
2. Dig a hole approximately 4" wide by 10" deep and gently tap the stake into the ground with a rubber mallet.
3. Use a level to ensure the top of the stake is level with the ground.
4. Reinstall the fixture body onto the stake and lay the power cable into the slotted relief on the stake.
5. Connect the power cable from the fixture body to the landscape cable.

INSTALLING THE LAMP

1. Loosen the threaded jam nut toward the stem.
2. Unscrew the lid from the stem.
3. Install the G4 Ecostar Bi-Pin into the socket.
4. Screw the lid onto the stem.
5. Adjust the threaded ring until you achieve the light pattern you want.

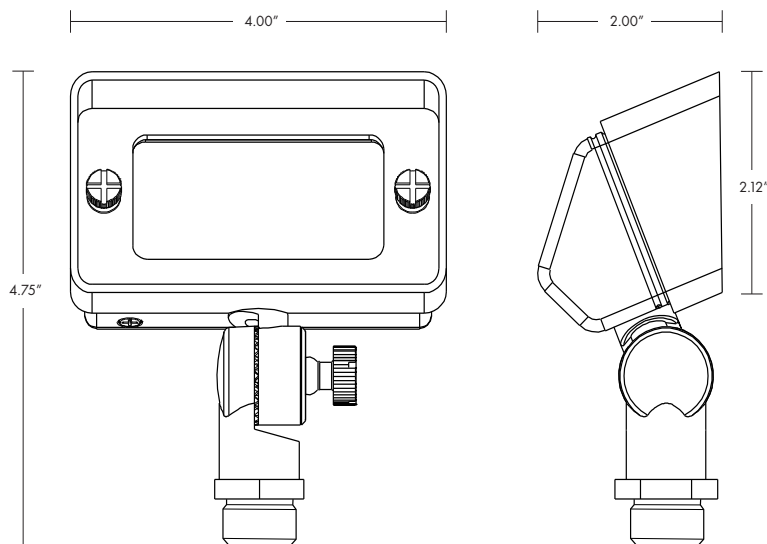
BLACK DIAMOND WALL WASH

DESCRIPTION

The Black Diamond Wall Wash is available without a lamp or with a G4 Rectangular Wafer (3W 2700K 120° 270 Lumens) and is ready to install right out of the box with a frosted glass lens. There are three glass lenses from which to choose for the desired effect. The frosted and glass lenses offer a 98° horizontal beam spread and the prism lens expands the horizontal beam spread to 114°. The spun brass construction features a baked enamel finish. The Black Diamond Wall Wash features an adjustment system which allows for 18 points of articulation of the knuckle.

BLACK DIAMOND WALL WASH

Use	Uplighting, Grazing, and Backlighting Techniques. Best for Low Level Wall Wash	
Finish	Black Brass Baked Enamel	
Includes	Lamp, Frosted Glass Lens, Clear Glass Lens, Prism Glass Lens, and ABS Mounting Stake	
Warranty	10 Year Warranty on Black Diamond Fixtures	
Order With Lamp	G4 Rect. Wafer, 3W, 2700K	BD-WW-G4-WAFER
Order Without Lamp	Fits G4 Bi-Pin	BD-WW-G4-NL



Black Brass
Baked Enamel



BD-WW-G4-WAFER

SOFT SOIL APPLICATIONS: INSTALLING THE GROUND STAKE & FIXTURE

1. Connect the power cable from the fixture body to the landscape cable.
2. Lay the power cable into the slotted relief on the stake.
3. Press the fixture and stake into the ground.
4. Use a level to ensure the top of the stake is level with the ground.

HARD SOIL APPLICATIONS: INSTALLING THE GROUND STAKE & FIXTURE

1. Unscrew the fixture body from the stake.
2. Dig a hole approximately 4" wide by 10" deep and gently tap the stake into the ground with a rubber mallet.
3. Use a level to ensure the top of the stake is level with the ground.
4. Reinstall the fixture body onto the stake and lay the power cable into the slotted relief on the stake.
5. Connect the power cable from the fixture body to the landscape cable.

ADJUSTING THE FIXTURE

1. Turn the thumbnut counter-clockwise to loosen the knuckle.
2. Rotate the fixture vertically to the preferred position.
3. Turn the thumbnut clockwise to hold it in the preferred position. Adjusting the fixture allows for dark sky ordinance applications.

CHANGING OUT LENSES

1. Use a screwdriver to remove the two screws and then remove the lens cover.
2. Remove the lens from the gasket and place the new lens in the gasket.
3. Reattach the two screws to the lens cover and tighten.

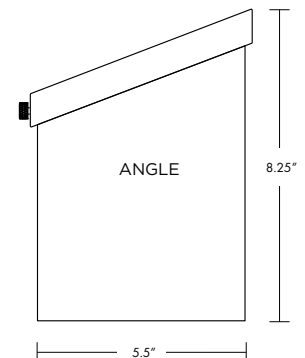
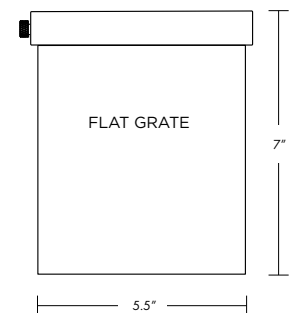
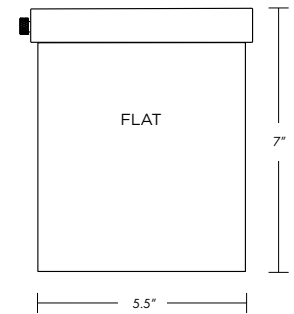
BLACK DIAMOND PAR36 WELL LIGHT

DESCRIPTION

The Black Diamond PAR36 Well Light comes in three glass top variations: flat, flat grate, or angled. All glass tops come in a black brass baked enamel finish. It is available without a lamp or with a PAR36 (7W 2700K 30° 675 Lumens). This well light is fitted for any of our PAR36 lamps and really comes to life with the Chameleon PAR36 for RGBW applications.

BLACK DIAMOND PAR36 WELL LIGHT

Use	Well Lighting & Underground Up Lighting	
Finish	Top: Black Brass Baked Enamel Body: Composite	
Includes	Heavy-Duty Stainless Steel Adjustable Gimbal	
Warranty	10 Year Warranty on Black Diamond Fixtures	
Order With Lamp	PAR36, 7W, 2700K, 30°	BD-WL-PAR36-FLAT BD-WL-PAR36-ANGLE BD-WL-PAR36-FLAT-GR
Order Without Lamp	Fits Chameleon PAR36, PAR36	BD-WL-PAR36-FLAT-NL BD-WL-PAR36-ANGLE-NL BD-WL-PAR36-FLAT-GR-NL





BD-WL-PAR36-FLAT

INSTALLING THE LAMP

1. Loosen the thumbscrew on the lens cap and remove the lens cap and the stainless steel gimbal from inside the Yosemite.
2. Install the lamp and snap it into the gimbal.
3. Return the gimbal to the well light.
4. Place the lens cap and tighten the thumbscrew to protect from debris.

INSTALLING THE FIXTURE

1. Dig a hole in the ground approximately 12" wide by 14" deep.
2. Connect the power cable to the fixture, leaving 2 feet of wire coiled in the bottom of the fixture for future service.
3. Pour 8" of pea gravel in the hole.
4. Place the fixture in the center of the hole.
5. Add more pea gravel to fill the hole 1" before the fixture lip. This allows for proper drainage around the fixture.
6. Place the specified lens assembly on the top of the fixture and tighten the set screw. Use the specified lens in all applications to protect from debris.
7. Apply glass wax on top of the lens to protect against standing water.

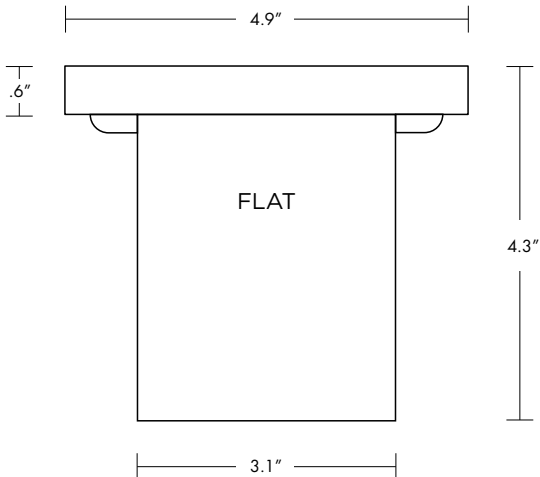
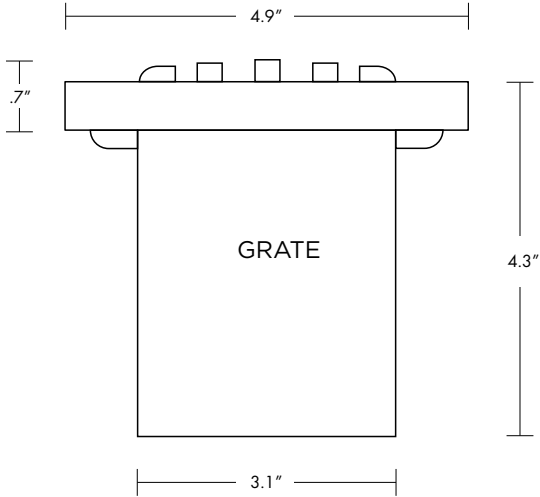
BLACK DIAMOND MR16 WELL LIGHT

DESCRIPTION

The Black Diamond MR16 Well Light comes in two top variations: flat glass or grate. Both the flat glass and grate tops come in a black finish. It is available without a lamp or with an MR16 Ecostar (4W 2700K 30° 350 Lumens). This well light is fitted for any of our MR16 lamps and really comes to life with the Chameleon MR16 for RGBW applications.

BLACK DIAMOND MR16 WELL LIGHT

Use	Well Lighting & Underground Up Lighting	
Finish	Top: Black Brass Baked Enamel Body: Composite	
Warranty	10 Year Warranty on Black Diamond Fixtures	
Order With Lamp	MR16 Ecostar, 4W, 2700K, 30°	BD-WL-MR16-FLAT BD-WL-MR16-GRATE
Order Without Lamp	Fits Chameleon MR16, MR16	BD-WL-MR16-FLAT-NL BD-WL-MR16-GRATE-NL





BD-WL-MR16-GRATE

INSTALLING THE LAMP

1. Loosen the Allen screws on the lens cap and remove.
2. Install the lamp into the socket.
3. Return the lens cap to the fixture base and tighten the Allen screws.

INSTALLING THE FIXTURE

1. Dig a hole in the ground approximately 8" wide by 10" deep.
2. Connect the power cable to the fixture, leaving 2 feet of wire coiled in the bottom of the fixture for future service.
3. Pour 8" of pea gravel in the hole.
4. Place the fixture in the center of the hole.
5. Add more pea gravel to fill the hole 1" before the fixture lip. This allows for proper drainage around the fixture.
6. Place the specified lens assembly on the top of the fixture and tighten it Use the specified lens in all applications to protect from debris.
7. Apply glass wax on top of the lens to protect against standing water.

ORGANICS DIRECTIONAL LIGHT




DESCRIPTION

In the effort to bring innovative products to the industry while being good stewards of natural resources, we created the Brilliance Organics Directional Light. How does the Brilliance Organics Directional Light promote sustainability? It's made of 40% natural material from bamboo, an organic compound, which is also a fast-renewable resource. This composite blend reduces carbon use and other forest and fossil resources. Plus, it is suitable for recycling.

It is ideal for use with Chameleon RGBW lamps due to its superior Wi-Fi signal propagation. It features the Brilliance Metal Works signature adjustment system with multiple points of articulation of the knuckle and toolless design. Please note the fixture color may vary slightly due to the diversity of natural bamboo fibers.

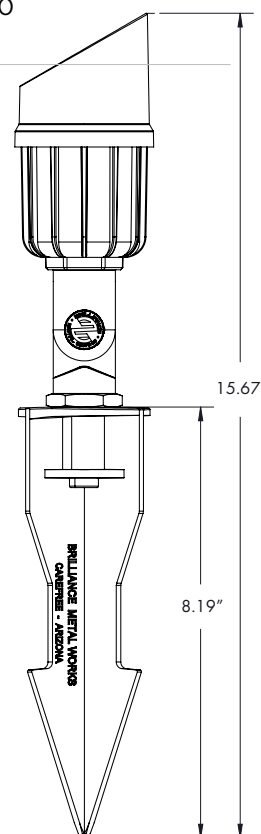
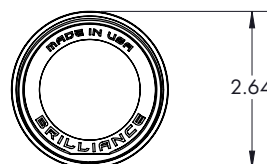
BRILLIANCE ORGANICS DIRECTIONAL LIGHT

Use	Uplighting, Grazing, Backlighting, and Wall Washing (When Used with 120° Lamps Only)	
Finish	Composite Blend of Bamboo and Polypropylene (PP)	
Includes	LightingShrink Professional Crimp and Heat Shrink Cable Connector, Bamboo/Polypropylene Mounting Stake	
Warranty	Lifetime Warranty on Organics Fixtures (excludes o-rings and socket)	
Order With Lamp	Chameleon MR16 	ORGANICS-DL-MR16-BAMBOO-MR16-CHAMELEON
	ECOSTAR MR16, 4W, 2700K, 30°	ORGANICS-DL-MR16-BAMBOO-ECO-4-2700-30
	ECOSTAR MR16, 4W, 3000K, 30°	ORGANICS-DL-MR16-BAMBOO-ECO-4-3000-30
Order Without Lamp	Fits Chameleon MR16, MR16	ORGANICS-DL-MR16-BAMBOO-NL

BRILLIANCE
Organics



Blend of Bamboo + Polypropylene





ORGANICS-DL-MR16-BAMBOO-MR16-CHAMELEON

SOFT SOIL APPLICATIONS: INSTALLING THE GROUND STAKE & FIXTURE

1. Connect the power cable from the fixture body to the landscape cable.
2. Lay the power cable into the slotted relief on the stake.
3. Press the fixture and stake into the ground.
4. Use a level to ensure the top of the stake is level with the ground.

HARD SOIL APPLICATIONS: INSTALLING THE GROUND STAKE & FIXTURE

1. Unscrew the fixture body from the stake.
2. Dig a hole approximately 4" wide by 10" deep and gently tap the stake into the ground with a rubber mallet.
3. Use a level to ensure the top of the stake is level with the ground.
4. Reinstall the fixture body onto the stake and lay the power cable into the slotted relief on the stake.
5. Connect the power cable from the fixture body to the landscape cable.

ADJUSTING THE FIXTURE

1. Turn the thumbnut counter-clockwise to loosen the knuckle.
2. Rotate the fixture vertically to the preferred position.
3. Turn the thumbnut clockwise to hold it in the preferred position. Adjusting the fixture allows for dark sky ordinance applications.

REPLACING THE LAMP

1. Hold the fixture base in one hand and press a finger against the bottom of the cap until it slightly pops up.
2. Use the other hand to grasp around the top shield and pull it off.
3. Install the lamp into the socket with the tension spring behind the body of the lamp.
4. Compress the tension spring into the body and reinstall the top cap over the fixture body. The cap should snap over both o-rings on the body fixture.

IMPORTANT: REPLACE THE O-RINGS IF NECESSARY

ACADIA

Directional Light for MR11 or G4 Chameleon



DESCRIPTION

The Acadia Directional Light works with MR11 lamps or G4 Chameleon lamps when used with the supplied adapter ring. It features an adjustable glare shield and the Brilliance Metal Works signature adjustment system, which allows for 22 points of articulation of the knuckle in 10 degree increments. For loose soil applications, pair the Acadia with the Impaler accessory.

ACADIA DIRECTIONAL LIGHT

Use	Uplighting, Grazing, Backlighting, and Wall Washing (When Used with 120° Lamps Only)	
Finish	Brass, Copper, or Brass w/ Black Cerakote®	
Includes	ABS Mounting Stake, LightingShrink Professional Crimp and Heat Shrink Cable Connector, G4 Adapter Ring	
Warranty	Lifetime Warranty on National Parks Series Fixtures	
Order With Lamp	MR11, 2W, 2700K, 30°	ACADIA-DL-MR11-CU ACADIA-DL-MR11-BR ACADIA-DL-MR11-BR-BLK
Order Without Lamp	Fits Chameleon G4, MR11	ACADIA-DL-MR11-CU-NL ACADIA-DL-MR11-BR-NL ACADIA-DL-MR11-BR-BLK-NL



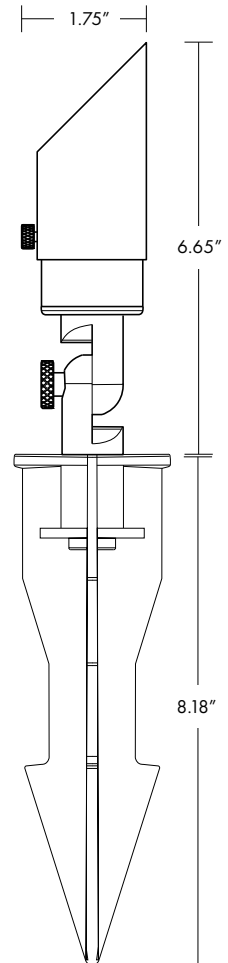
Brass (BR)



Copper (CU)



Brass + Black Cerakote®
(BR-BLK)





ACADIA-DL-MR11-BR-BLK

SOFT SOIL APPLICATIONS: INSTALLING THE GROUND STAKE & FIXTURE

1. Connect the power cable from the fixture body to the landscape cable.
2. Lay the power cable into the slotted relief on the stake.
3. Press the fixture and stake into the ground.
4. Use a level to ensure the top of the stake is level with the ground.

HARD SOIL APPLICATIONS: INSTALLING THE GROUND STAKE & FIXTURE

1. Unscrew the fixture body from the stake.
2. Dig a hole approximately 4” wide by 10” deep and gently tap the stake into the ground with a rubber mallet.
3. Use a level to ensure the top of the stake is level with the ground.
4. Reinstall the fixture body onto the stake and lay the power cable into the slotted relief on the stake.
5. Connect the power cable from the fixture body to the landscape cable.

ADJUSTING THE FIXTURE IN GENERAL AND FOR DARK SKY ORDINANCE APPLICATIONS

1. Turn the thumbnut counter-clockwise to loosen the knuckle.
2. Rotate the fixture vertically to the preferred position.
3. Turn the thumbnut clockwise to hold it in the preferred position.

INSTALLING THE LAMP

1. Loosen the thumbscrew on the adjustable shield and remove it from the fixture body.
2. Unscrew the fixture body from the base.
3. Install the lamp in the socket with the tension spring behind the body of the lamp.
4. After lamp is installed, compress the tension spring as you thread the metal body into the base.
5. Return the adjustable shield to the preferred position and tighten the thumbscrew to hold it in place.

DENALI MR16 Directional Light



DESCRIPTION

The Denali Directional Light works with MR16 lamps or Chameleon MR16 lamps for RGBW applications. It features the Brilliance Metal Works signature adjustment system, which allows for 22 points of articulation of the knuckle in 10 degree increments. For loose soil applications, pair the Denali with the Impaler accessory.

DENALI DIRECTIONAL LIGHT

Use	Uplighting, Grazing, Backlighting, and Wall Washing (When Used with 120° Lamps Only)	
Finish	Brass, Copper, or Brass w/ Black Cerakote®	
Includes	ABS Mounting Stake, LightingShrink Professional Crimp and Heat Shrink Cable Connector, Honeycomb Louver	
Warranty	Lifetime Warranty on National Parks Series Fixtures	
Order With Lamp	MR16, 4W, 2700K, 30°	DENALI-DL-MR16-CU DENALI-DL-MR16-BR DENALI-DL-MR16-BR-BLK
Order Without Lamp	Fits Chameleon MR16, MR16	DENALI-DL-MR16-CU-NL DENALI-DL-MR16-BR-NL DENALI-DL-MR16-BR-BLK-NL



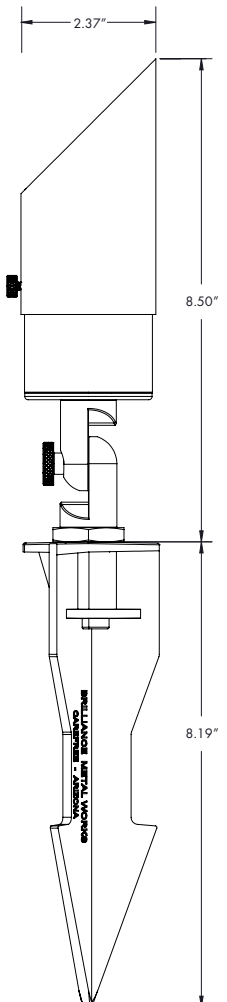
Brass (BR)



Copper (CU)



Brass + Black Cerakote®
(BR-BLK)





DENALI-DL-MR16-CU

SOFT SOIL APPLICATIONS: INSTALLING THE GROUND STAKE & FIXTURE

1. Connect the power cable from the fixture body to the landscape cable.
2. Lay the power cable into the slotted relief on the stake.
3. Press the fixture and stake into the ground.
4. Use a level to ensure the top of the stake is level with the ground.

HARD SOIL APPLICATIONS: INSTALLING THE GROUND STAKE & FIXTURE

1. Unscrew the fixture body from the stake.
2. Dig a hole approximately 4" wide by 10" deep and gently tap the stake into the ground with a rubber mallet.
3. Use a level to ensure the top of the stake is level with the ground.
4. Reinstall the fixture body onto the stake and lay the power cable into the slotted relief on the stake.
5. Connect the power cable from the fixture body to the landscape cable.

ADJUSTING THE FIXTURE

1. Turn the thumbnut counter-clockwise to loosen the knuckle.
2. Rotate the fixture vertically to the preferred position.
3. Turn the thumbnut clockwise to hold it in the preferred position. Adjusting the fixture allows for dark sky ordinance applications.

INSTALLING THE LAMP

1. Loosen the thumbscrew on the adjustable shield and remove it from the fixture body.
2. Unscrew the fixture body from the base.
3. Install the lamp in the socket with the tension spring behind the body of the lamp.
4. After lamp is installed, compress the tension spring as you thread the metal body into the base.
5. Return the adjustable shield to the preferred position and tighten the thumbscrew to hold it in place.

GRAND CANYON PAR36 Directional Light



DESCRIPTION

The Grand Canyon Directional Light works with PAR36 lamps or PAR36 Chameleon lamps. It features the Brilliance Metal Works signature adjustment system, which allows for 22 points of articulation of the knuckle in 10 degree increments. For loose soil applications, pair the Grand Canyon with the Impaler accessory.

GRAND CANYON DIRECTIONAL LIGHT

Use	Uplighting, Grazing, Backlighting, and Wall Washing (When Used with 120° Lamps Only)	
Finish	Brass, Copper, or Brass w/ Black Cerakote®	
Includes	ABS Mounting Stake, LightingShrink Professional Crimp and Heat Shrink Cable Connector	
Warranty	Lifetime Warranty on National Parks Series Fixtures	
Order With Lamp	PAR36, 7W, 2700K, 30°	GRAND-CANYON-DL-PAR36-CU GRAND-CANYON-DL-PAR36-BR GRAND-CANYON-DL-PAR36-BR-BLK
Order Without Lamp	Fits Chameleon PAR36, PAR36	GRAND-CANYON-DL-PAR36-CU-NL GRAND-CANYON-DL-PAR36-BR-NL GRAND-CANYON-DL-PAR36-BR-BLK-NL



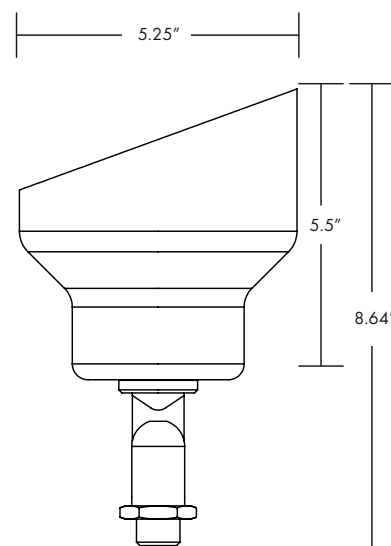
Brass (BR)



Copper (CU)



Brass + Black Cerakote®
(BR-BLK)





GRAND-CANYON-DL-PAR36-BR-BLK

SOFT SOIL APPLICATIONS: INSTALLING THE GROUND STAKE & FIXTURE

1. Connect the power cable from the fixture body to the landscape cable.
2. Lay the power cable into the slotted relief on the stake.
3. Press the fixture and stake into the ground.
4. Use a level to ensure the top of the stake is level with the ground.

HARD SOIL APPLICATIONS: INSTALLING THE GROUND STAKE & FIXTURE

1. Unscrew the fixture body from the stake.
2. Dig a hole approximately 4" wide by 10" deep and gently tap the stake into the ground with a rubber mallet.
3. Use a level to ensure the top of the stake is level with the ground.
4. Reinstall the fixture body onto the stake and lay the power cable into the slotted relief on the stake.
5. Connect the power cable from the fixture body to the landscape cable.

ADJUSTING THE FIXTURE

1. Turn the thumbnut counter-clockwise to loosen the knuckle.
2. Rotate the fixture vertically to the preferred position.
3. Turn the thumbnut clockwise to hold it in the preferred position. Adjusting the fixture allows for dark sky ordinance applications.

INSTALLING THE LAMP

1. Loosen the terminal screws on the PAR36 lamp.
2. Slide the U terminal connector under each terminal screw and tighten them.
3. Set the edge of the lamp onto the first two stainless steel flex fingers.
4. Pull back on the remaining flex finger and snap the lamp into the fixture.

ARCHES MR16 Directional Down Light



DESCRIPTION

The Arches Directional Down Light works with MR16 lamps or MR16 Chameleon lamps. It features an adjustable glare shield and the Brilliance Metal Works signature adjustment system, which allows for 22 points of articulation of the knuckle in 10 degree increments. For an alternative mounting option, pair the Arches with the Tree Mount optional accessory. When using in a tree, consult with an arborist for the best way to mount for the particular tree species.

ARCHES DIRECTIONAL DOWN LIGHT

Use	Surface-Mounted Uplighting and Downlighting	
Finish	Brass, Copper, or Brass w/ Black Cerakote®	
Includes	LightingShrink Professional Crimp and Heat Shrink Cable Connector, Honeycomb Louver, Stainless Steel Mounting Canopy	
Warranty	Lifetime Warranty on National Parks Series Fixtures	
Order With Lamp	MR16, 4W, 2700K, 30°	ARCHES-DDL-MR16-CU ARCHES-DDL-MR16-BR ARCHES-DDL-MR16-BR-BLK
Order Without Lamp	Fits Chameleon MR16, MR16	ARCHES-DDL-MR16-CU-NL ARCHES-DDL-MR16-BR-NL ARCHES-DDL-MR16-BR-BLK-NL



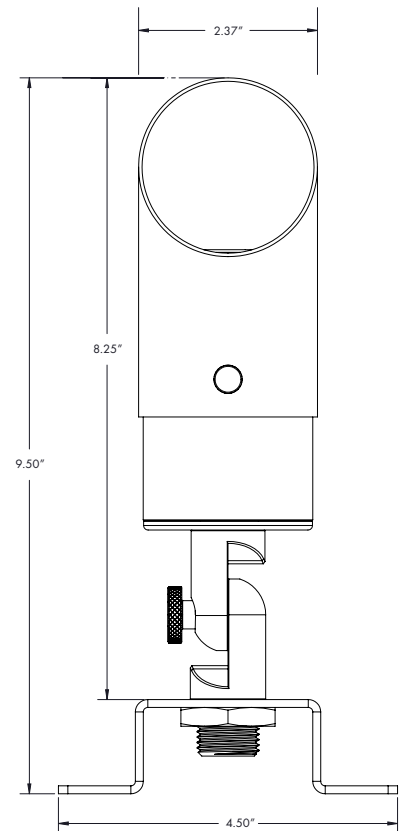
Brass (BR)



Copper (CU)



Brass + Black Cerakote®
(BR-BLK)





ARCHES-DDL-MR16-CU

ADJUSTING THE FIXTURE

1. Turn the thumbnut counter-clockwise to loosen the knuckle.
2. Rotate the fixture vertically to the preferred position.
3. Turn the thumbnut clockwise to hold it in the preferred position.

INSTALLING THE LAMP

1. Loosen the thumbscrew on the adjustable shield and remove it from the fixture body.
2. Unscrew the fixture body from the base.
3. Install the lamp in the socket with the tension spring behind the body of the lamp.
4. After lamp is installed, compress the tension spring as you thread the metal body into the base.
5. Return the adjustable shield to the preferred position and tighten the thumbscrew to hold it in place.

INSTALLING FIXTURES IN SURFACE MOUNT APPLICATIONS

IMPORTANT: DO NOT INSTALL ON OR NEAR ANY HIGH VOLTAGE POWER LINES

1. Align the bracket mounting holes with the surface to which to mount the fixture.
2. Use a white paint marker to mark the mounting holes on the surface. Then use a 1/4" drill bit to drill pilot holes.
3. Thread one of the stainless steel nuts onto the bolt ends of each screw/bolt.
4. Use an adjustable wrench to affix the screw ends into the pilot holes.
5. Align the mounting bracket with the U slot facing upward over both bolt ends.
6. Thread the stainless steel nuts to the bolt ends and tighten them against the bracket.
7. Pass the fixture wires through the brass nut and thread it onto the fixture body.
8. Pass the fixture wires through the top of the bracket.
9. Rest the threaded portion of the knuckle into the U portion of the bracket with the brass nut on the inside.
10. Use the stainless steel wrench provided to tighten the brass nut as you position the fixture toward the illumination target.
11. Use the Lighting Shrink cable connections provided to connect the fixture wires to the main cable.


GLACIER MR16 Hanging Down Light

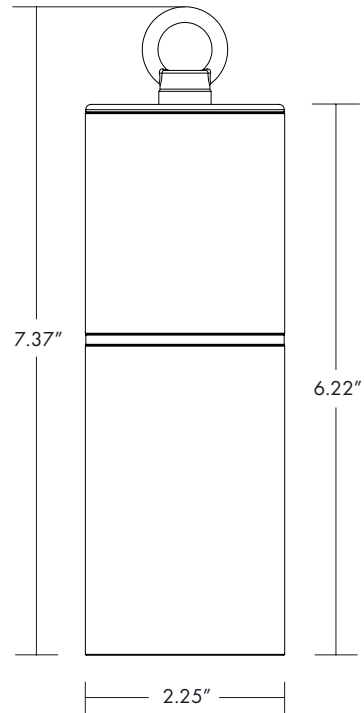


DESCRIPTION

The Glacier Hanging Down Light works with MR16 lamps or MR16 Chameleon lamps. It features a frosted shade perfect for projecting soft RGBW light.

GLACIER HANGING DOWN LIGHT

Use	Downlighting Techniques in Trees or Architecture by Hanging on a Chain or Cable	
Finish	Brass, Copper, or Brass w/ Black Cerakote®	
Includes	LightingShrink Professional Crimp and Heat Shrink Cable Connector	
Warranty	Lifetime Warranty on National Parks Series Fixtures	
Order With Lamp	Chameleon MR16 	GLACIER-HDL-MR16-CU-FRST GLACIER-HDL-MR16-BR-FRST GLACIER-HDL-MR16-BR-BLK-FRST
Order Without Lamp	Fits Chameleon MR16, MR16	GLACIER-HDL-MR16-CU-FRST-NL GLACIER-HDL-MR16-BR-FRST-NL GLACIER-HDL-MR16-BR-BLK-FRST-NL



Brass (BR)



Copper (CU)



Brass + Black Cerakote®
(BR-BLK)



GLACIER-HDL-MR16-CU-FRST

INSTALLING THE LAMP

1. Remove the acrylic shield from the body.
2. Remove the stainless steel snap ring from the lamp holder.
3. Install the lamp in the socket.
4. Lay the front of the lamp inside the lamp holder and install the snap ring on the back side lip of the MR16 lamp.
5. Reinstall the lamp holder into the fixture body.

HANGING THE FIXTURE

IMPORTANT: DO NOT INSTALL ON OR NEAR ANY HIGH VOLTAGE POWER LINES

1. Hang the fixture from a secure stainless steel eye bolt, with or without a chain.
2. Create a drip loop with the wire by bending the wire to a slope one inch below the fixture cap.

GLACIER PERFORATED


MR16 Hanging Down Light



DESCRIPTION

Based on our original Glacier Hanging Down Light, the Glacier Perforated Hanging Down Light offers a modern, elegant look. The precision machined perforations soften lighting, making it easy on the eyes while creating ambiance.

GLACIER PERFORATED HANGING DOWN LIGHT

Use	Downlighting Techniques in Trees or Architecture by Hanging on a Chain or Cable	
Finish	Brass, Copper, or Brass w/ Black Cerakote®	
Includes	LightingShrink Professional Crimp and Heat Shrink Cable Connector	
Warranty	Lifetime Warranty on National Parks Series Fixtures	
Order With Lamp	Chameleon MR16 	GLACIER-HDL-MR16-PERF-CU GLACIER-HDL-MR16-PERF-BR GLACIER-HDL-MR16-PERF-BR-BLK
Order Without Lamp	Fits Chameleon MR16, MR16	GLACIER-HDL-MR16-PERF-CU-NL GLACIER-HDL-MR16-PERF-BR-NL GLACIER-HDL-MR16-PERF-BR-BLK-NL



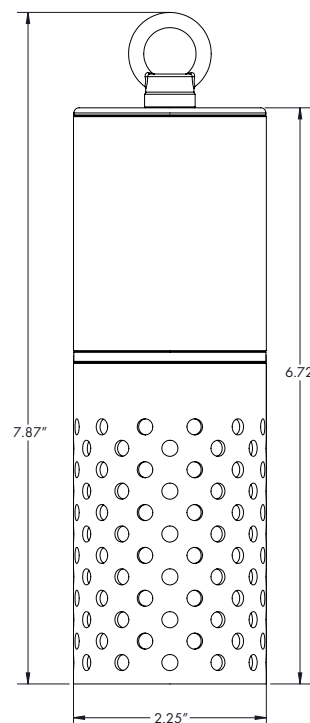
Brass (BR)



Copper (CU)



Brass + Black Cerakote®
(BR-BLK)





GLACIER-HDL-MR16-PERF-BR

INSTALLING THE LAMP

1. Unscrew the perforated shield from the body.
2. Remove the stainless steel snap ring from the lamp holder.
3. Install the lamp in the socket.
4. Lay the front of the lamp inside the lamp holder and install the snap ring on the back side lip of the MR16 lamp.
5. Reinstall the lamp holder into the fixture body.

HANGING THE FIXTURE

IMPORTANT: DO NOT INSTALL ON OR NEAR ANY HIGH VOLTAGE POWER LINES

1. Hang the fixture from a secure stainless steel eye bolt, with or without a chain.
2. Create a drip loop with the wire by bending the wire to a slope one inch below the fixture cap.

BRYCE

Hanging Down Light for AR11, MR16, or G4 Blaze



DESCRIPTION

The Bryce Hanging Down Light works with AR11, MR16 and MR16 Chameleon lamps, or G4 Blaze lamps with the Frosted Acrylic version.

BRYCE HANGING DOWN LIGHT

Use	Downlighting Techniques in Trees or Architecture by Hanging on a Chain or Cable	
Finish	Brass, Copper, Brass w/ Black Cerakote®, or Frosted	
Includes	LightingShrink Professional Crimp and Heat Shrink Cable Connector	
Warranty	Lifetime Warranty on National Parks Series Fixtures	
Order With Lamp	AR11, 2W, 2700K, 60°	BRYCE-HDL-AR11-CU BRYCE-HDL-AR11-BR BRYCE-HDL-AR11-BR-BLK
	MR16, 4W, 2700K, 60°	BRYCE-HDL-MR16-CU BRYCE-HDL-MR16-BR BRYCE-HDL-MR16-BR-BLK
	G4 Blaze	BRYCE-HDL-G4-FRST
Order Without Lamp	Fits AR11	BRYCE-HDL-AR11-CU-NL BRYCE-HDL-AR11-BR-NL BRYCE-HDL-AR11-BR-BLK-NL
	Fits Chameleon MR16, MR16	BRYCE-HDL-MR16-CU-NL BRYCE-HDL-MR16-BR-NL BRYCE-HDL-MR16-BR-BLK-NL
	Fits G4 Blaze	BRYCE-HDL-G4-FRST-NL

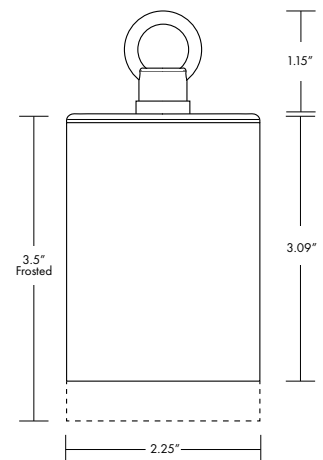


Brass (BR)

Copper (CU)

Brass + Black Cerakote® (BR-BLK)

Frosted Acrylic (FRST)





BRYCE-HDL-AR11-CU

INSTALLING THE LAMP

1. Unscrew the fixture body from the lid.
2. Install the lamp in the socket.
3. Reinstall the fixture body.

HANGING THE FIXTURE

IMPORTANT: DO NOT INSTALL ON OR NEAR ANY HIGH VOLTAGE POWER LINES

1. Hang the fixture from a secure stainless steel eye bolt, with or without a chain.
2. Create a drip loop with the wire by bending the wire to a slope one inch below the fixture cap.

BRYCE PERFORATED

Hanging Down Light for AR11 or MR16



DESCRIPTION

In a longer footprint than the original Bryce Hanging Down Light, the Bryce Perforated Hanging Down Light keeps the same one-piece construction and adds ambiance with its precision machined perforations.

BRYCE PERFORATED HANGING DOWN LIGHT

Use	Downlighting Techniques in Trees or Architecture by Hanging on a Chain or Cable	
Finish	Brass, Copper, or Brass w/ Black Cerakote®	
Includes	LightingShrink Professional Crimp and Heat Shrink Cable Connector	
Warranty	Lifetime Warranty on National Parks Series Fixtures	
Order With Lamp	AR11, 2W, 2700K, 60°	BRYCE-HDL-AR11-PERF-CU BRYCE-HDL-AR11-PERF-BR BRYCE-HDL-AR11-PERF-BR-BLK
	MR16, 4W, 2700K, 60°	BRYCE-HDL-MR16-PERF-CU BRYCE-HDL-MR16-PERF-BR BRYCE-HDL-MR16-PERF-BR-BLK
Order Without Lamp	Fits AR11	BRYCE-HDL-AR11-PERF-CU-NL BRYCE-HDL-AR11-PERF-BR-NL BRYCE-HDL-AR11-PERF-BR-BLK-NL
	Fits Chameleon MR16, MR16	BRYCE-HDL-MR16-PERF-CU-NL BRYCE-HDL-MR16-PERF-BR-NL BRYCE-HDL-MR16-PERF-BR-BLK-NL



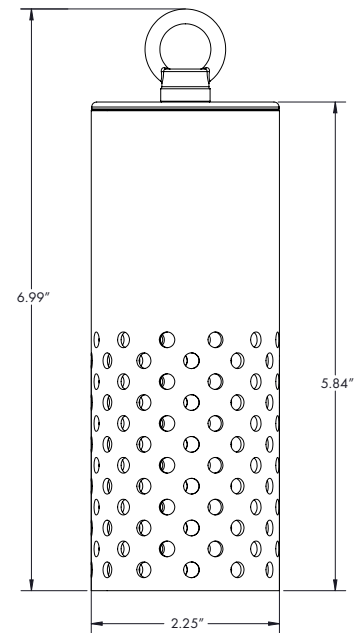
Brass (BR)



Copper (CU)



Brass + Black Cerakote®
(BR-BLK)





BRYCE-HDL-MR16-PERF-BR

INSTALLING THE LAMP

1. Unscrew the perforated shield from the lid.
2. Install the lamp in the socket.
3. Reinstall the fixture body.

HANGING THE FIXTURE

IMPORTANT: DO NOT INSTALL ON OR NEAR ANY HIGH VOLTAGE POWER LINES

1. Hang the fixture from a secure stainless steel eye bolt, with or without a chain.
2. Create a drip loop with the wire by bending the wire to a slope one inch below the fixture cap.

PINNACLES G4 Soft Accent Light



DESCRIPTION

The Pinnacles Soft Accent Light works with G4 Rectangular Wafer LEDs. It features a frosted glass lens, as well as the Brilliance Metal Works signature adjustment system, which allows for 22 points of articulation of the knuckle in 10 degree increments.

PINNACLES SOFT ACCENT LIGHT

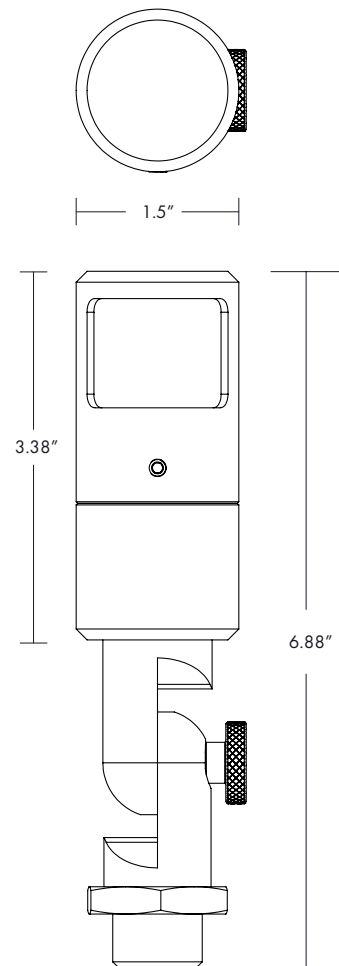
Use	Uplighting, Grazing, and Backlighting Techniques Best Used When Low Level Wall Wash Techniques are Desired	
Finish	Brass or Brass w/ Black Cerakote®	
Includes	ABS Mounting Stake, LightingShrink Professional Crimp, and Heat Shrink Cable Connector	
Warranty	Lifetime Warranty on National Parks Series Fixtures	
Order With Lamp	G4 Rectangular Wafer, 3W, 2700K	PINNACLES-DL-G4-BR PINNACLES-DL-G4-BR-BLK
Order Without Lamp	Fits G4 Bi-Pin	PINNACLES-DL-G4-BR-NL PINNACLES-DL-G4-BR-BLK-NL



Brass (BR)



Brass + Black Cerakote® (BR-BLK)





PINNACLES-DL-G4-BR

SOFT SOIL APPLICATIONS: INSTALLING THE GROUND STAKE & FIXTURE

1. Connect the power cable from the fixture body to the landscape cable.
2. Lay the power cable into the slotted relief on the stake.
3. Press the fixture and stake into the ground.
4. Use a level to ensure the top of the stake is level with the ground.

HARD SOIL APPLICATIONS: INSTALLING THE GROUND STAKE & FIXTURE

1. Unscrew the fixture body from the stake.
2. Dig a hole approximately 4" wide by 10" deep and gently tap the stake into the ground with a rubber mallet.
3. Use a level to ensure the top of the stake is level with the ground.
4. Reinstall the fixture body onto the stake and lay the power cable into the slotted relief on the stake.
5. Connect the power cable from the fixture body to the landscape cable.

ADJUSTING THE FIXTURE

1. Turn the thumbnut counter-clockwise to loosen the knuckle.
2. Rotate the fixture vertically to the preferred position.
3. Turn the thumbnut clockwise to hold it in the preferred position. Adjusting the fixture allows for dark sky ordinance applications.

INSTALLING THE LAMP

1. Loosen the 3/32 set screw on the face of the fixture.
2. Remove the brass cap.
3. Install the G4 lamp into the socket.
4. Place the brass cap back on the fixture body.
5. When using a Micro G4 or Beacon G4, you can adjust the window to direct light where you want it.

IMPORTANT: REPLACE THE O-RINGS IF NECESSARY

EVERGLADES G4 BI-PIN AREA LIGHT

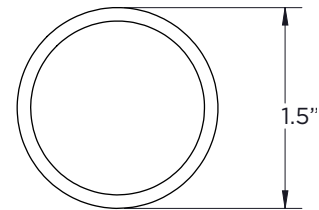


DESCRIPTION

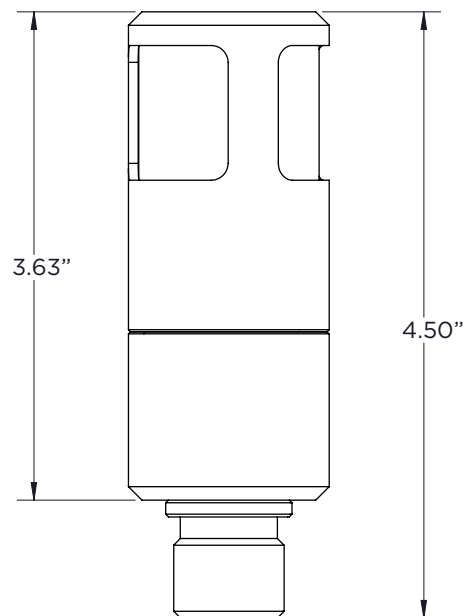
The Everglades is an area light that serves as a low-profile indicator. Pair with the optional Deck Mount accessory as a base for flat surfaces like boating docks and deck applications.

EVERGLADES AREA LIGHT

Use	Pathways & Walkways Dock & Deck Applications	
Finish	Brass or Brass w/ Black Cerakote®	
Includes	ABS Mounting Stake, LightingShrink Professional Crimp, and Heat Shrink Cable Connector	
Warranty	Lifetime Warranty on National Parks Series Fixtures	
Order With Lamp	Micro G4 Bi-Pin in Amber	EVERGLADES-AL-G4-BR EVERGLADES-AL-G4-BR-BLK
Order Without Lamp	Fits G4 Bi-Pin	EVERGLADES-AL-G4-BR-NL EVERGLADES-AL-G4-BR-BLK-NL



Everglades shown with Deck Mount accessory



Brass (BR)



Brass + Black Cerakote®
(BR-BLK)



EVERGLADES AL-G4-BR

SOFT SOIL APPLICATIONS: INSTALLING THE GROUND STAKE & FIXTURE

1. Connect the power cable from the fixture body to the landscape cable.
2. Lay the power cable into the slotted relief on the stake.
3. Press the fixture and stake into the ground.
4. Use a level to ensure the top of the stake is level with the ground.

HARD SOIL APPLICATIONS: INSTALLING THE GROUND STAKE & FIXTURE

1. Unscrew the fixture body from the stake.
2. Dig a hole approximately 4" wide by 10" deep and gently tap the stake into the ground with a rubber mallet.
3. Use a level to ensure the top of the stake is level with the ground.
4. Reinstall the fixture body onto the stake and lay the power cable into the slotted relief on the stake.
5. Connect the power cable from the fixture body to the landscape cable.

ADJUSTING THE FIXTURE

1. Turn the thumbnut counter-clockwise to loosen the knuckle.
2. Rotate the fixture vertically to the preferred position.
3. Turn the thumbnut clockwise to hold it in the preferred position.

INSTALLING THE LAMP

1. Pull the assembly top off of the fixture base.
2. Install the lamp into the socket.
3. Press the assembly top into fixture.

DECK APPLICATIONS: INSTALLING WITH THE BRILLIANCE DECK MOUNT

1. Use three #10 x 3" round head stainless steel deck screws to mount the Deck Mount to wood or composite deck material.

IMPORTANT: REPLACE THE O-RINGS IF NECESSARY

GUADALUPE WALL LIGHT

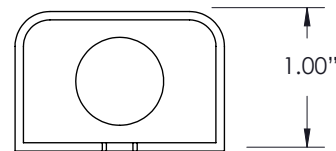


DESCRIPTION

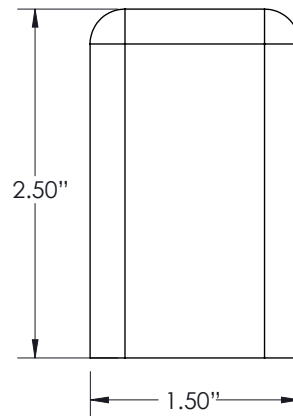
The Guadalupe is an integrated lamp and fixture that casts light from wall-mount applications in outdoor living areas. We recommend using LightingShrink connections for the Guadalupe. Dimmable with Brilliance dimmer and most magnetic transformers. ETL Certified for UL 1838 and CSA C22.2 Standards.

GUADALUPE WALL LIGHT

Use	Walls, Fence Posts, Around Pools, and Other Outdoor Living Areas					
Finish	Brass, White, or Black Brass					
Includes	12 ft Lead, 2 #8 Mounting Screws for Wood or Sheet Metal, Mounting Template					
Warranty	5 Year Warranty on Guadalupe Fixtures					
Integrated Lamp	2700K, 3.8W, 200 Lumens, 90°, CRI 90, IP65, 8-15VAC, 5 year warranty, 6.03VA, 35,000 hrs					
	<table style="margin-left: 40px;"> <tr> <td>Brass</td> <td>GUADALUPE-2700-BR</td> </tr> <tr> <td>Black Brass</td> <td>GUADALUPE-2700-BR-BLK</td> </tr> <tr> <td>White</td> <td>GUADALUPE-2700-WH</td> </tr> </table>	Brass	GUADALUPE-2700-BR	Black Brass	GUADALUPE-2700-BR-BLK	White
Brass	GUADALUPE-2700-BR					
Black Brass	GUADALUPE-2700-BR-BLK					
White	GUADALUPE-2700-WH					
Integrated Lamp	3000K, 3.8W, 210 Lumens, 90°, CRI 90, IP65, 8-15VAC, 5 year warranty, 6.03VA, 35,000 hrs					
	<table style="margin-left: 40px;"> <tr> <td>Brass</td> <td>GUADALUPE-3000-BR</td> </tr> <tr> <td>Black Brass</td> <td>GUADALUPE-3000-BR-BLK</td> </tr> <tr> <td>White</td> <td>GUADALUPE-3000-WH</td> </tr> </table>	Brass	GUADALUPE-3000-BR	Black Brass	GUADALUPE-3000-BR-BLK	White
Brass	GUADALUPE-3000-BR					
Black Brass	GUADALUPE-3000-BR-BLK					
White	GUADALUPE-3000-WH					



Brass (BR) White (WH) Black Brass (BR-BLK)





GUADALUPE-BR-BLK-3000

INSTALLING THE FIXTURE

1. Using a torpedo level and the mounting template provided, align and mark the screw and cable holes.
2. Drill the appropriate holes for the building materials to which the fixture will be mounted. Pre-drill if needed.
3. Insert and thread the top and bottom mounting screws.
4. Pass the fixture cable through the larger center hole.
5. Align the fixture with both the top and bottom screws, and slide the fixture down to hang it.
6. Tighten the bottom mounting screw until snug.
7. Connect the fixture wires to the main cable coming from the transformer.

REDWOOD G4 Path Light

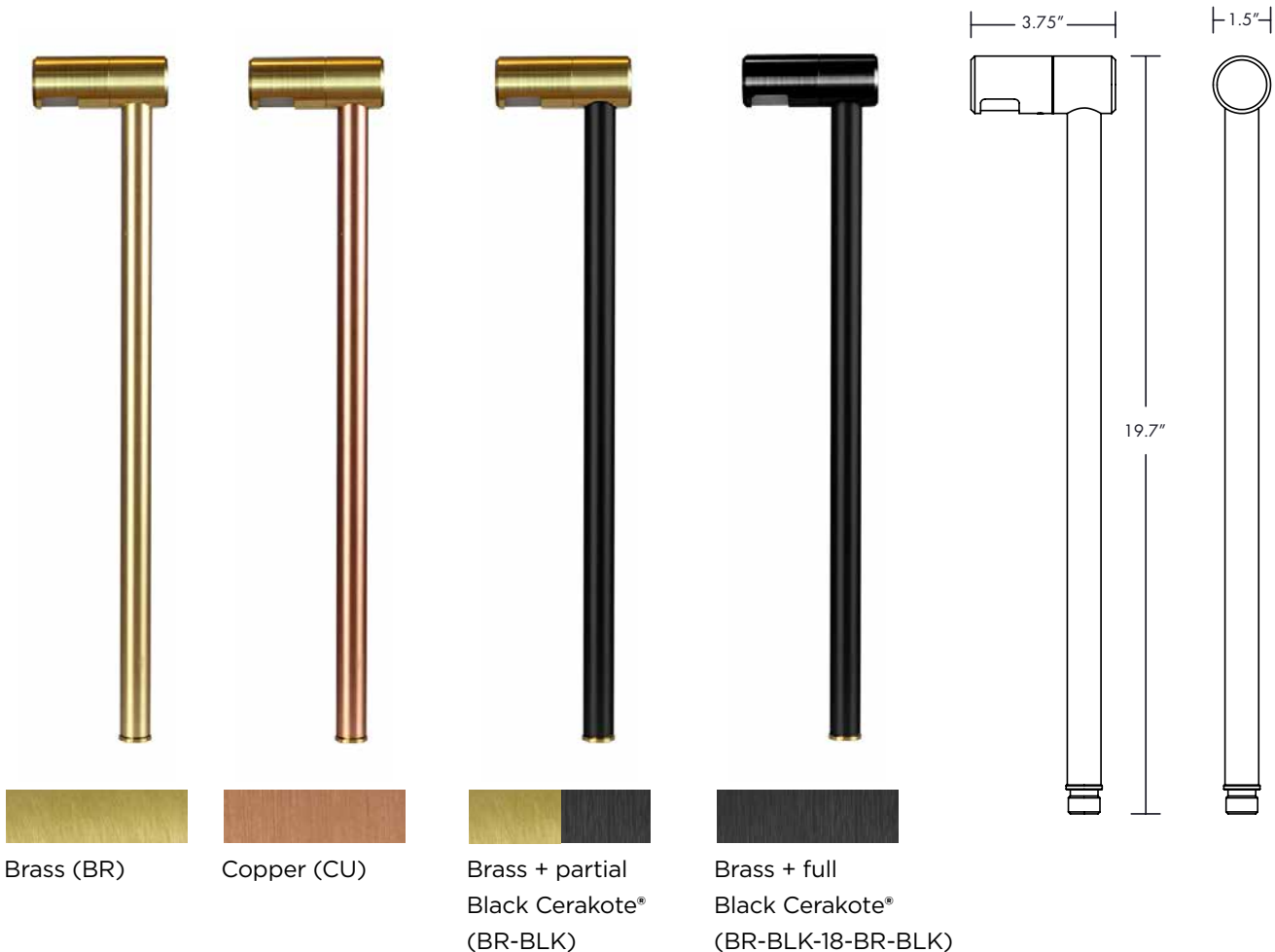


DESCRIPTION

The Redwood Path Light comes complete with a frosted glass window that can rotate 360° and locks in with a set screw.

REDWOOD PATH LIGHT

Use	Path, Area, and Garden Accent Lighting	
Finish	Brass, Copper, or Brass w/ Black Cerakote®	
Includes	ABS Mounting Stake, LightingShrink Professional Crimp, and Heat Shrink Cable Connector	
Warranty	Lifetime Warranty on National Parks Series Fixtures	
Order With Lamp	G4 Rectangular Wafer, 3W, 2700K	REDWOOD-PL-G4-BR-18-CU-STEM REDWOOD-PL-G4-BR-18-BR-STEM REDWOOD-PL-G4-BR-18-BR-BLK-STEM REDWOOD-PL-G4-BR-BLK-18-BR-BLK-STEM
Order Without Lamp	Fits G4 Bi-Pin	REDWOOD-PL-G4-BR-18-CU-STEM-NL REDWOOD-PL-G4-BR-18-BR-STEM-NL REDWOOD-PL-G4-BR-18-BR-BLK-STEM-NL REDWOOD-PL-G4-BR-BLK-18-BR-BLK-STEM-NL





REDWOOD-PL-G4-BR-BLK-18-BR-BLK-STEM

SOFT SOIL APPLICATIONS: INSTALLING THE GROUND STAKE & FIXTURE

1. Connect the power cable from the fixture body to the landscape cable.
2. Lay the power cable into the slotted relief on the stake.
3. Press the fixture and stake into the ground.
4. Use a level to ensure the top of the stake is level with the ground.

HARD SOIL APPLICATIONS: INSTALLING THE GROUND STAKE & FIXTURE

1. Unscrew the fixture body from the stake.
2. Dig a hole approximately 4" wide by 10" deep and gently tap the stake into the ground with a rubber mallet.
3. Use a level to ensure the top of the stake is level with the ground.
4. Reinstall the fixture body onto the stake and lay the power cable into the slotted relief on the stake.
5. Connect the power cable from the fixture body to the landscape cable.

INSTALLING THE LAMP

1. Loosen the set screw for the lens cover.
2. Remove the brass lens cover.
3. Install the G4 Wafer into the socket.
4. Place the lens cover back on the fixture body.
5. When using a Micro G4 or Beacon G4, you can adjust the window to direct light where you want it.

IMPORTANT: REPLACE THE O-RINGS IF NECESSARY

JOSHUA TREE

G4 Path Light



DESCRIPTION

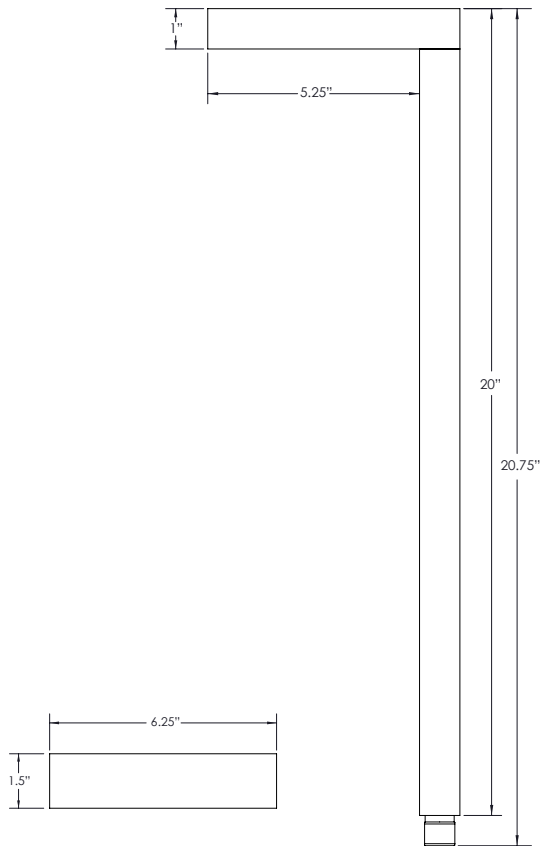
The Joshua Tree Path Light comes complete with one or two G4 Rectangular Wafer sockets. This modern fixture is a downward facing path light perfect for path, area, and garden accent lighting.

JOSHUA TREE PATH LIGHT

Use	Path, Area, and Garden Accent Lighting		
Finish	Aluminum w/ Black Cerakote®		
Includes	ABS Mounting Stake, LightingShrink Professional Crimp, and Heat Shrink Cable Connector		
Warranty	10 Year Warranty on Aluminum Fixtures		
Order With Lamp	G4 Rectangular Wafer	1 socket, 2700K, 270 Lumens	JOSHUA-PL-20-G4-1-AL-BLK
	3W, 2700K	2 sockets, 2700K, 540 Lumens	JOSHUA-PL-20-G4-2-AL-BLK
Order Without Lamp	Fits G4 Bi-Pin	1 socket	JOSHUA-PL-20-G4-1-AL-BLK-NL
		2 sockets	JOSHUA-PL-20-G4-2-AL-BLK-NL



Aluminum +Black
Cerakote® (AL-BLK)





JOSHUA-PL-20-G4-2-AL-BLK

SOFT SOIL APPLICATIONS: INSTALLING THE GROUND STAKE & FIXTURE

1. Connect the power cable from the fixture body to the landscape cable.
2. Lay the power cable into the slotted relief on the stake.
3. Press the fixture and stake into the ground.
4. Use a level to ensure the top of the stake is level with the ground.

HARD SOIL APPLICATIONS: INSTALLING THE GROUND STAKE & FIXTURE

1. Unscrew the fixture body from the stake.
2. Dig a hole approximately 4" wide by 10" deep and gently tap the stake into the ground with a rubber mallet.
3. Use a level to ensure the top of the stake is level with the ground.
4. Reinstall the fixture body onto the stake and lay the power cable into the slotted relief on the stake.
5. Connect the power cable from the fixture body to the landscape cable.

INSTALLING THE LAMP

1. Loosen the screw for the lens cover.
2. Install the G4 Wafer into the socket.
3. Place the lens cover back on the fixture body.
4. Tighten the screw for the lens cover.

SEQUOIA G4 Bi-Pin 7" Path Light

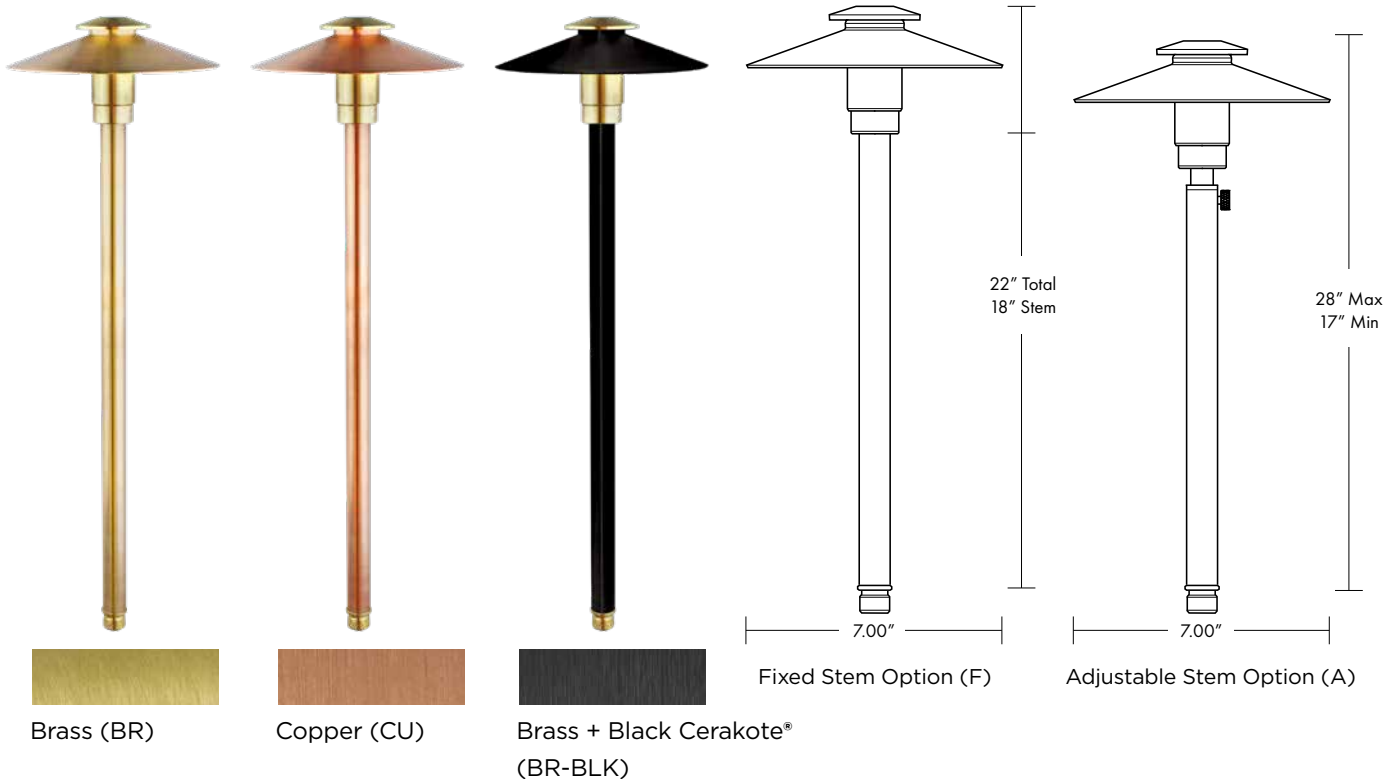


DESCRIPTION

The Sequoia 7" Path Light comes complete with a fully adjustable reflector top. It is available in a standard 22" fixed stem or a 17" to 28" adjustable stem.

SEQUOIA PATH LIGHT

Use	Path, Area, and Garden Accent Lighting		
Finish	Brass, Copper, or Brass w/ Black Cerakote®		
Includes	ABS Mounting Stake, LightingShrink Professional Crimp, and Heat Shrink Cable Connector		
Warranty	Lifetime Warranty on National Parks Series Fixtures		
Order With Lamp	Beacon G4 Bi-Pin, 2W, 2700K	FIXED SEQUOIA-PL-7-G4-CU-F SEQUOIA-PL-7-G4-BR-F SEQUOIA-PL-7-G4-BR-BLK-F	ADJUSTABLE SEQUOIA-PL-7-G4-CU-A SEQUOIA-PL-7-G4-BR-A SEQUOIA-PL-7-G4-BR-BLK-A
Order Without Lamp	Fits G4 Bi-Pin	FIXED SEQUOIA-PL-7-G4-CU-F-NL SEQUOIA-PL-7-G4-BR-F-NL SEQUOIA-PL-7-G4-BR-BLK-F-NL	ADJUSTABLE SEQUOIA-PL-7-G4-CU-A-NL SEQUOIA-PL-7-G4-BR-A-NL SEQUOIA-PL-7-G4-BR-BLK-A-NL





SEQUOIA-PL-7-G4-CU-F

SOFT SOIL APPLICATIONS: INSTALLING THE GROUND STAKE & FIXTURE

1. Connect the power cable from the fixture body to the landscape cable.
2. Lay the power cable into the slotted relief on the stake.
3. Press the fixture and stake into the ground.
4. Use a level to ensure the top of the stake is level with the ground.

HARD SOIL APPLICATIONS: INSTALLING THE GROUND STAKE & FIXTURE

1. Unscrew the fixture body from the stake.
2. Dig a hole approximately 4" wide by 10" deep and gently tap the stake into the ground with a rubber mallet.
3. Use a level to ensure the top of the stake is level with the ground.
4. Reinstall the fixture body onto the stake and lay the power cable into the slotted relief on the stake.
5. Connect the power cable from the fixture body to the landscape cable.

ADJUSTING THE FIXTURE

1. Turn the threaded ring counter clockwise to loosen the lid.
2. Find the right light pattern by moving the lid up and down on the stem.
3. Turn the threaded ring clockwise to lock the lid into the preferred position.
4. For adjustable stem models, adjust the stem length by loosening the set screw, adjusting the stem height, and tightening the set screw to hold it in place.

INSTALLING THE LAMP

1. Loosen the threaded jam nut toward the stem.
2. Unscrew the lid from the stem.
3. Install the Beacon G4 Bi-Pin into the socket.
4. Screw the lid onto the stem.
5. Adjust the threaded ring until you achieve the light pattern you want.

ZION G4 Bi-Pin 4" Path Light

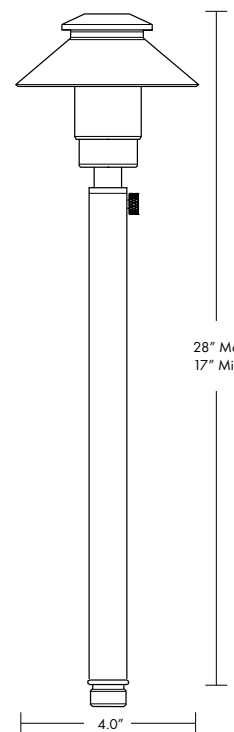
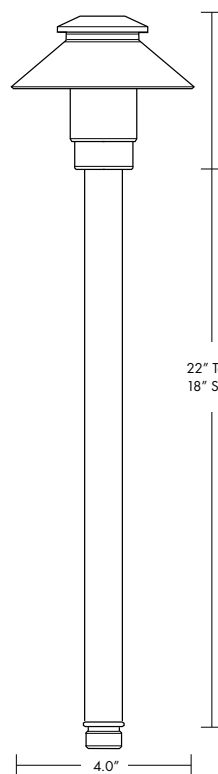
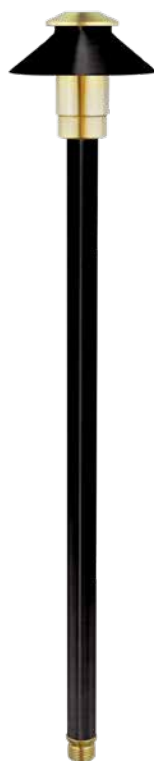


DESCRIPTION

The Zion 4" Path Light comes complete with a fully adjustable reflector top. It is available in a standard 22" fixed stem or a 17" to 28" adjustable stem.

ZION PATH LIGHT

Use	Path, Area, and Garden Accent Lighting		
Finish	Brass, Copper, or Brass w/ Black Cerakote®		
Includes	ABS Mounting Stake, LightingShrink Professional Crimp, and Heat Shrink Cable Connector		
Warranty	Lifetime Warranty on National Parks Series Fixtures		
Order With Lamp	Beacon G4 Bi-Pin, 2W, 2700K	FIXED ZION-PL-4-G4-CU-F ZION-PL-4-G4-BR-F ZION-PL-4-G4-BR-BLK-F	ADJUSTABLE ZION-PL-4-G4-CU-A ZION-PL-4-G4-BR-A ZION-PL-4-G4-BR-BLK-A
Order Without Lamp	Fits G4 Bi-Pin	FIXED ZION-PL-4-G4-CU-F-NL ZION-PL-4-G4-BR-F-NL ZION-PL-4-G4-BR-BLK-F-NL	ADJUSTABLE ZION-PL-4-G4-CU-A-NL ZION-PL-4-G4-BR-A-NL ZION-PL-4-G4-BR-BLK-A-NL



Brass (BR)

Copper (CU)

Brass + Black Cerakote®
(BR-BLK)

Fixed Stem Option (F)

Adjustable Stem Option (A)



ZION-PL-4-G4-CU-F

SOFT SOIL APPLICATIONS: INSTALLING THE GROUND STAKE & FIXTURE

1. Connect the power cable from the fixture body to the landscape cable.
2. Lay the power cable into the slotted relief on the stake.
3. Press the fixture and stake into the ground.
4. Use a level to ensure the top of the stake is level with the ground.

HARD SOIL APPLICATIONS: INSTALLING THE GROUND STAKE & FIXTURE

1. Unscrew the fixture body from the stake.
2. Dig a hole approximately 4" wide by 10" deep and gently tap the stake into the ground with a rubber mallet.
3. Use a level to ensure the top of the stake is level with the ground.
4. Reinstall the fixture body onto the stake and lay the power cable into the slotted relief on the stake.
5. Connect the power cable from the fixture body to the landscape cable.

ADJUSTING THE FIXTURE

1. Turn the threaded ring counter clockwise to loosen the lid.
2. Find the right light pattern by moving the lid up and down on the stem.
3. Turn the threaded ring clockwise to lock the lid into the desired position.
4. For adjustable stem models, adjust the stem length by loosening the set screw, adjusting the stem height, and tightening the set screw to hold it in place.

INSTALLING THE LAMP

1. Unscrew the threaded ring toward the stem.
2. Unscrew the lid from the stem.
3. Install the Beacon G4 Bi-Pin into the socket.
4. Screw the lid onto the stem.
5. Adjust the threaded ring until you achieve the light pattern you want.

ROSWELL SOLAR PATH LIGHT



DESCRIPTION

The Roswell Solar Path Light is a solar energy-powered path light. The fixture is equipped with motion sensor settings. Automatic operation and wireless design make for easy installation and use. The wireless design makes this fixture perfect for areas without low voltage wiring such as: gardens, pathways, campsites, and large estates.

ROSWELL SOLAR PATH LIGHT

Use	Areas with Full Sun that Need a Solar Powered Landscape Light Areas with Full Sun that Need Motion Detection						
Finish	Stainless Steel Construction with Opaque Diffuser						
Includes	Mono-Crystalline Laminated Glass Solar Panel Battery - 18650, 2600mAh, 3.7V Two Mounting Options: Flush Mount or with Included Stake Three Modes of Motion Detection: <table border="0" style="margin-left: 40px;"> <tr> <td>Constant Dim Light</td> <td>30 Lumens</td> </tr> <tr> <td>Standby</td> <td>200 Lumens for 25 seconds</td> </tr> <tr> <td>Motion</td> <td>300 Lumens for 25 seconds</td> </tr> </table>	Constant Dim Light	30 Lumens	Standby	200 Lumens for 25 seconds	Motion	300 Lumens for 25 seconds
Constant Dim Light	30 Lumens						
Standby	200 Lumens for 25 seconds						
Motion	300 Lumens for 25 seconds						
Warranty	2 Year Warranty on Roswell Fixtures						
Integrated Lamp	1.8W, 5V, 3000K, CRI 83, IP65, 2 year warranty ROSWELL-SOLAR-PL						
Operating Instructions	To turn on or off, press and hold the power button for five seconds. To change modes between three available settings, press the button for one second. Motion sensor is active at 20 to 26 feet distance at 90-degree angle.						





ROSWELL-SOLAR-PL

INSTALLING THE GROUND STAKE

1. Dig a hole in the ground approximately 4" wide by 7" deep. When working with hard soil, use a rubber mallet to drive the stake into the ground.
2. Place the fixture in the center of the hole.
3. Use a level to ensure the top of the stake is 2" above the ground and that it is level vertically.

INSTALLING ON DECK APPLICATIONS

1. Use three #10 x 2" round head stainless steel deck screws to mount the fixture base to wood or composite deck material (deck screws not included).
2. Position the motion sensor in the direction which traffic regularly approaches.

TECHNICAL REQUIREMENTS: Choose areas with full sun. When possible, direct the solar panel to face the south. Do not install this product in a heavily-shaded area. Be sure there is no ambient light from any other light source directed at the solar panel during the evening hours.


OLYMPIC MR16 BOLLARD LIGHT

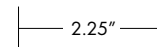
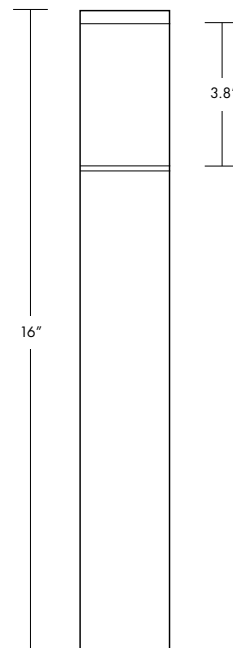


DESCRIPTION

The Olympic Bollard Light comes complete with an 360° frosted acrylic cover and when ordered with a lamp, includes a Chameleon MR16 Lamp for RGBW designs. This bollard light is a perfect way to add color to your pathways and walkways. For non-RGBW applications, order the Olympic without a lamp and pair it with any of our other MR16 lamp options.

OLYMPIC BOLLARD

Use	Path, Area, and Garden Accent Lighting	
Finish	Brass, Copper, or Brass w/ Black Cerakote®	
Includes	ABS Mounting Stake, LightingShrink Professional Crimp and Heat Shrink Cable Connector	
Warranty	Lifetime Warranty on National Parks Series Fixtures	
Order With Lamp	Chameleon MR16 	OLYMPIC-BL-16-MR16-FRST-BR OLYMPIC-BL-16-MR16-FRST-CU OLYMPIC-BL-16-MR16-FRST-BR-BLK
Order Without Lamp	Fits Chameleon MR16, MR16	OLYMPIC-BL-16-MR16-FRST-BR-NL OLYMPIC-BL-16-MR16-FRST-CU-NL OLYMPIC-BL-16-MR16-FRST-BR-BLK-NL



Brass (BR)



Copper (CU)



Brass + Black Cerakote®
(BR-BLK)



OLYMPIC-BL-16-MR16-FRST-CU

SOFT SOIL APPLICATIONS: INSTALLING THE GROUND STAKE & FIXTURE

1. Connect the power cable from the fixture body to the landscape cable.
2. Lay the power cable into the slotted relief on the stake.
3. Press the fixture and stake into the ground.
4. Use a level to ensure the top of the stake is level with the ground.

HARD SOIL APPLICATIONS: INSTALLING THE GROUND STAKE & FIXTURE

1. Dig a hole approximately 4” wide by 10” deep and gently tap the stake into the ground with a rubber mallet.
2. Use a level to ensure the top of the stake is level with the ground.
3. Reinstall the fixture body onto the stake and lay the power cable into the slotted relief on the stake.
4. Connect the power cable from the fixture body to the landscape cable.

INSTALLING THE LAMP

1. Unscrew the threaded acrylic top assembly.
2. Install the MR16 lamp using the supplied snap ring. (No tools required.)
3. Install socket onto lamp.
4. Screw the acrylic top assembly into fixture.

MOUNT RAINIER INTEGRATED BOLLARD



DESCRIPTION

The Mount Rainier Bollard features two cutout options with an integrated Frosted Mini Beam; one window or three windows. This bollard light is a perfect way to add soft light to your pathways and walkways. Dimmable with Brilliance Dimmer and most magnetic transformers. Order with stainless steel Impaler or ABS mounting stake. Light source ETL Certified for UL 1838 and CSA C22.2 Standards. .

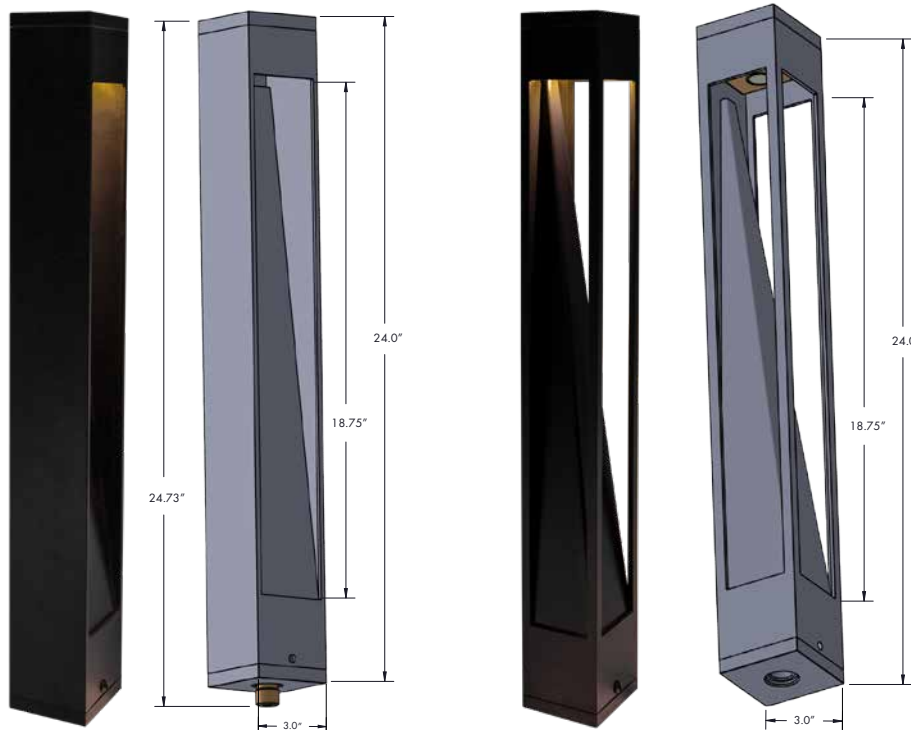
MOUNT RAINIER INTEGRATED BOLLARD

Use	Path, Area, and Garden Accent Lighting
Finish	Black Powder Coated Aluminum
Includes	LightingShrink Professional Crimp and Heat Shrink Cable Connector
Warranty	10 Year Warranty on Aluminum Fixtures
Integrated Lamp w/ Impaler	Frosted Mini Beam - 6W, 3000K, 120°, 400 Lumens, CRI 80, IP65, 8-15VAC, 5 yr warranty, 9.23VA, 30,000 hrs One Window MT-RAINIER-BL-1-3000-AL-BLK-IMP Three Window MT-RAINIER-BL-3-3000-AL-BLK-IMP
Integrated Lamp w/ ABS Stake	Frosted Mini Beam - 6W, 3000K, 120°, 400 Lumens, CRI 80, IP65, 8-15VAC, 5 yr warranty, 9.23VA, 30,000 hrs One Window MT-RAINIER-BL-1-3000-AL-BLK-STK Three Window MT-RAINIER-BL-3-3000-AL-BLK-STK

Impaler ABS Stake



Black Powder Coated Aluminum



One Window

Three Window



MT-RAINIER-BL-1-3000-AL-BLK-IMP

INSTALLING THE FIXTURE

1. Dig a hole in the ground approximately 4" wide by 12" deep. When working with hard soil, use a rubber mallet to drive the Impaler or stake into the ground.
2. Lay the power cable from the fixture into the threaded hole on the Impaler or stake.
3. Use a level to ensure the top of the Impaler or stake is level with the ground.
4. Screw the fixture into the Impaler or stake.

CARLSBAD MR16 WELL LIGHT



DESCRIPTION

The Carlsbad Well Light is fitted for any MR16 lamp and comes to life with the Brilliance Chameleon MR16. The flat glass top comes in a brass finish.

CARLSBAD WELL LIGHT

Use	Well Lighting & Underground Up Lighting	
Finish	Brass, Copper, or Brass w/ Black Cerakote®	
Includes	LightingShrink Professional Crimp and Heat Shrink Cable Connector, Honeycomb Louver	
Warranty	Lifetime Warranty on National Parks Series Fixtures	
Order With Lamp	MR16, 4W, 2700K, 30°	CARLSBAD-UG-MR16-BR CARLSBAD-UG-MR16-CU CARLSBAD-UG-MR16-BR-BLK
Order Without Lamp	Fits Chameleon MR16, MR16	CARLSBAD-UG-MR16-BR-NL CARLSBAD-UG-MR16-CU-NL CARLSBAD-UG-MR16-BR-BLK-NL



2.25"



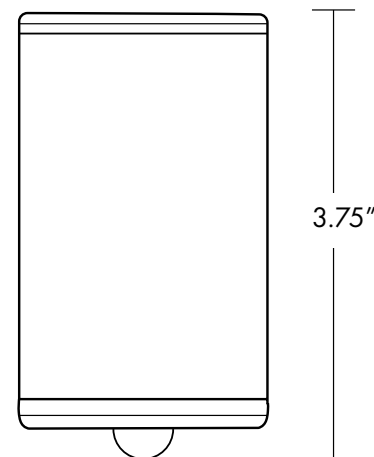
Brass (BR)



Copper (CU)



Brass + Black Cerakote®
(BR-BLK)



2.25"



CARLSBAD-UG-MR16-CU

INSTALLING THE LAMP

1. Remove the rear cap and pull out the spring.
2. Set the MR16 lamp on top of the spring and plug it into the socket.
3. Insert this assembly into the fixture body with the front of the lamp toward the lens.
4. Screw the back cap onto the fixture body and hand tighten.

INSTALLING THE FIXTURE

1. Dig a hole in the ground approximately 8" wide by 10" deep.
2. Connect the power cable to the fixture, leaving 2 feet of wire coiled in the bottom of the fixture for future service.
3. Pour 5" of pea gravel in the hole.
4. Place the fixture in the center of the hole.
5. Add more pea gravel to fill the hole 1" before the fixture lip. This allows for proper drainage around the fixture.
6. Apply glass wax on top of the lens to protect against standing water.

CARLSBAD FLANGE MR16 WELL LIGHT

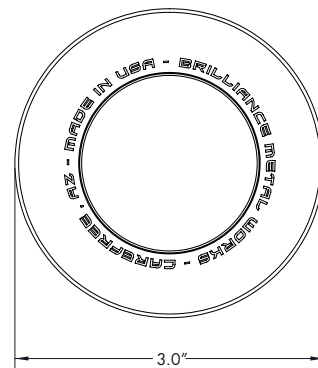
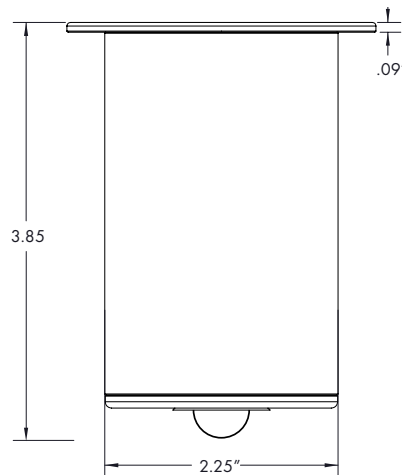


DESCRIPTION

The Carlsbad Flange Well Light is ideal for recessed and hardscape applications like being core drilled into concrete, pavers, and driveways. (The recommended core drill size is 2.75 inches.) The Carlsbad Flange is fitted for any MR16 lamp and comes to life with the Brilliance Chameleon MR16. Like the original Carlsbad fixture, the flat glass top comes in a brass finish.

CARLSBAD FLANGE WELL LIGHT

Use	Well Lighting & Underground Up Lighting in Recessed & Hardscape Applications	
Finish	Brass	
Includes	PVC Sleeve, LightingShrink Professional Crimp and Heat Shrink Cable Connector, Honeycomb Louver	
Warranty	Lifetime Warranty on National Parks Series Fixtures	
Order With Lamp	MR16, 4W, 2700K, 30°	CARLSBAD-UG-MR16-BR-FLANGE
Order Without Lamp	Fits Chameleon MR16, MR16	CARLSBAD-UG-MR16-BR-FLANGE-NL



Brass (BR)



CARLSBAD-UG-MR16-BR-FLANGE

INSTALLING THE LAMP

1. Remove the rear cap and pull out the spring.
2. Set the MR16 lamp on top of the spring and plug it into the socket.
3. Insert this assembly into the fixture body with the front of the lamp toward the lens.
4. Screw the back cap onto the fixture body and hand tighten.

INSTALLING THE FIXTURE: GROUND MOUNT WITH SLEEVE

1. Dig a hole in the ground approximately 6" wide by 10" deep.
2. Connect the power cable to the fixture, leaving 2' landscape cable coiled in the bottom of the fixture for future service.
3. Pour 8" pea gravel in the hole.
4. Place the fixture in the center of the hole.
5. Add more pea gravel to fill the hole 1" before the fixture lip. This allows for proper drainage around the fixture.
6. Apply glass wax on top of the lens to protect against standing water.

INSTALLING THE FIXTURE: CORE DRILLING WITH SLEEVE

1. Core drill a hole 2 3/4" wide by 10" deep into concrete or hardscape. Be sure there is room in the core drilled hole for proper drainage.
2. Attach the fixture cable to the main cable with the Lighting Shrink cable connection provided.
3. Insert the fixture into the sleeve and drop the fixture and sleeve into the core drilled hole.
4. Apply glass wax on top of the lens to protect against standing water.

CONGAREE

MR11 WELL LIGHT

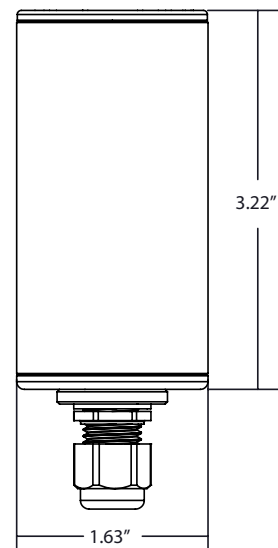
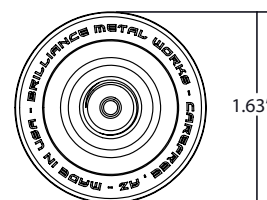


DESCRIPTION

The Congaree Well Light is fitted for any MR11 lamp. The flat glass top comes in a brass finish.

CONGAREE WELL LIGHT

Use	Well Lighting & Underground Up Lighting	
Finish	Brass, Copper, or Brass w/ Black Cerakote®	
Includes	LightingShrink Professional Crimp and Heat Shrink Cable Connector	
Warranty	Lifetime Warranty on National Parks Series Fixtures	
Order With Lamp	MR11, 2W, 2700K, 30°	CONGAREE-MR11-BR CONGAREE-MR11-CU CONGAREE-MR11-BR-BLK
Order Without Lamp	Fits MR11	CONGAREE-MR11-BR-NL CONGAREE-MR11-CU-NL CONGAREE-MR11-BR-BLK-NL



Brass (BR)



Copper (CU)



Brass + Black Cerakote®
(BR-BLK)



CONGAREE-MR11-BR

INSTALLING THE LAMP

1. Remove the rear cap and pull out the spring.
2. Set the MR11 lamp on top of the spring and plug it into the socket.
3. Insert this assembly into the fixture body with the front of the lamp toward the lens.
4. Screw the back cap onto the fixture body and hand tighten.

INSTALLING THE FIXTURE

1. Dig a hole in the ground approximately 8" wide by 10" deep.
2. Connect the power cable to the fixture, leaving 2 feet of wire coiled in the bottom of the fixture for future service.
3. Pour 5" of pea gravel in the hole.
4. Place the fixture in the center of the hole.
5. Add more pea gravel to fill the hole 1" before the fixture lip. This allows for proper drainage around the fixture.
6. Apply glass wax on top of the lens to protect against standing water.

CONGAREE FLANGE

MR11 WELL LIGHT



DESCRIPTION

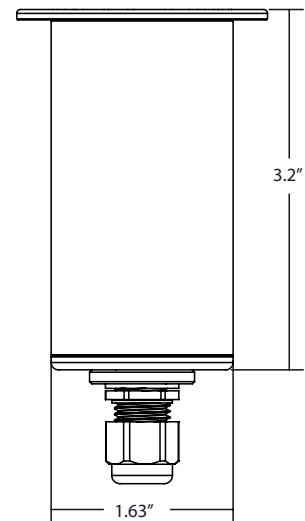
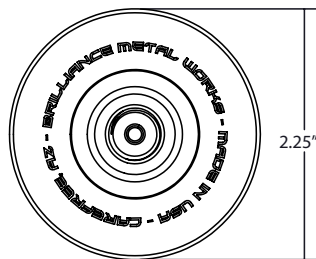
The Congaree Flange Well Light is ideal for recessed and hardscape applications like being core drilled into concrete, pavers, and driveways. (The recommended core drill size is 2.125 inches.) The Congaree Flange is fitted for any MR11 lamp. Like the original Congaree fixture, the flat glass top comes in a brass finish.

CONGAREE FLANGE WELL LIGHT

Use	Well Lighting & Underground Up Lighting in Recessed & Hardscape Applications	
Finish	Brass	
Includes	PVC Sleeve, LightingShrink Professional Crimp and Heat Shrink Cable Connector	
Warranty	Lifetime Warranty on National Parks Series Fixtures	
Order With Lamp	MR11, 2W, 2700K, 30°	CONGAREE-BR-FLANGE
Order Without Lamp	Fits MR11	CONGAREE-BR-FLANGE-NL



Brass (BR)





CONGAREE-BR-FLANGE

INSTALLING THE LAMP

1. Remove the rear cap and pull out the spring.
2. Set the MR11 lamp on top of the spring and plug it into the socket.
3. Insert this assembly into the fixture body with the front of the lamp toward the lens.
4. Screw the back cap onto the fixture body and hand tighten.

INSTALLING THE FIXTURE: GROUND MOUNT WITH SLEEVE

1. Dig a hole in the ground approximately 6" wide by 10" deep.
2. Connect the power cable to the fixture, leaving 2' landscape cable coiled in the bottom of the fixture for future service.
3. Pour 8" pea gravel in the hole.
4. Place the fixture in the center of the hole.
5. Add more pea gravel to fill the hole 1" before the fixture lip. This allows for proper drainage around the fixture.
6. Apply glass wax on top of the lens to protect against standing water.

INSTALLING THE FIXTURE: CORE DRILLING WITH SLEEVE

1. Core drill a hole 2 3/4" wide by 10" deep into concrete or hardscape. Be sure there is room in the core drilled hole for proper drainage.
2. Attach the fixture cable to the main cable with the Lighting Shrink cable connection provided.
3. Insert the fixture into the sleeve and drop the fixture and sleeve into the core drilled hole.
4. Apply glass wax on top of the lens to protect against standing water.

OZARK

Soft Accent Light

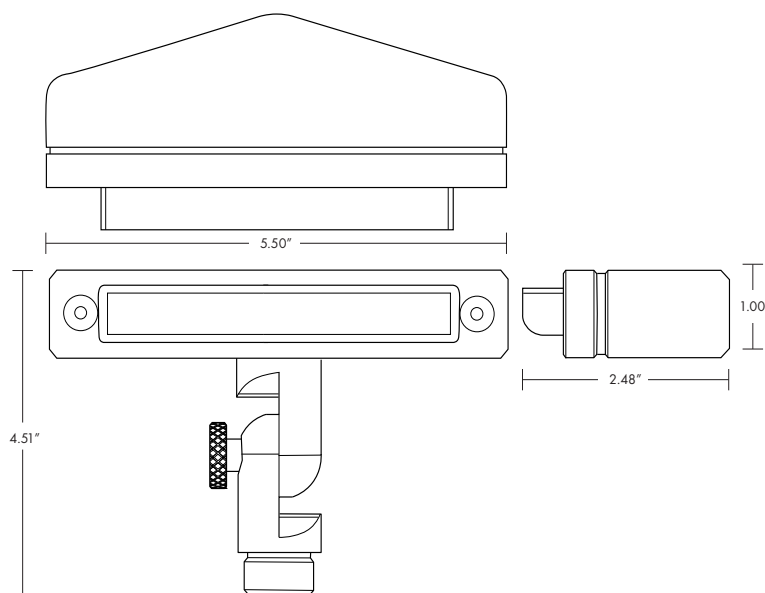


DESCRIPTION

The Ozark Soft Accent Light has an integrated Small Light Bar. It features a glare shield, as well as the Brilliance Metal Works signature adjustment system, which allows for 22 points of articulation of the knuckle in 10 degree increments. Dimmable with Brilliance Dimmer and most magnetic transformers. Light Source UL Certified E511083.

OZARK SOFT ACCENT LIGHT

Use	Uplighting, Grazing, and Backlighting Techniques Best for Low Level Wall Wash Techniques
Finish	Aluminum w/ Black Cerakote®
Includes	ABS Mounting Stake, LightingShrink Professional Crimp, and Heat Shrink Cable Connector
Warranty	10 Year Warranty on Aluminum Fixtures
Integrated Lamp	Small Light Bar - 1.5W, 2700K, 110 Lumens, CRI 85, IP65, 8-15VAC, 1.67VA, 5 year warranty OZARK-SAL-SLB-2700-AL-BLK
	Small Light Bar - 1.5W, 3000K, 110 Lumens, CRI 85, IP65, 8-15VAC, 1.67VA, 5 year warranty OZARK-SAL-SLB-3000-AL-BLK



Aluminum + Black Cerakote®
(AL-BLK)



OZARK-SAL-SLB-2700-AL-BLK

SOFT SOIL APPLICATIONS: INSTALLING THE GROUND STAKE & FIXTURE

1. Connect the power cable from the fixture body to the landscape cable.
2. Lay the power cable into the slotted relief on the stake.
3. Press the fixture and stake into the ground.
4. Use a level to ensure the top of the stake is level with the ground.

HARD SOIL APPLICATIONS: INSTALLING THE GROUND STAKE & FIXTURE

1. Unscrew the fixture body from the stake.
2. Dig a hole approximately 4" wide by 10" deep and gently tap the stake into the ground with a rubber mallet.
3. Use a level to ensure the top of the stake is level with the ground.
4. Reinstall the fixture body onto the stake and lay the power cable into the slotted relief on the stake.
5. Connect the power cable from the fixture body to the landscape cable.

ADJUSTING THE FIXTURE

1. Turn the thumbnut counter-clockwise to loosen the knuckle.
2. Rotate the fixture vertically to the preferred position.
3. Turn the thumbnut clockwise to hold it in the preferred position. Adjusting the fixture allows for dark sky ordinance applications.

CASCADES Step Light



DESCRIPTION

The Cascades Step Light casts the right amount of indirect light for visual interest, as well as safety. Dimmable with Brilliance Dimmer and most magnetic transformers.

CASCADES STEP LIGHT

Use	Areas with Elevation Changes or Dark Sky Requirements Step, Deck, or Hardscape Applications, and Over Most Existing Recessed Step Lights
Finish	Aluminum w/ Black Cerakote®
Includes	LightingShrink Professional Crimp and Heat Shrink Cable Connector, 2 Mounting Screws
Warranty	10 Year Warranty on Aluminum Fixtures
Integrated Lamp	7.5" Light Bar - 1.5W, 2700K, 110 Lumens, CRI 85, IP65, 8-15VAC, 1.67VA, 5 year warranty CASCADES-SL-7.5LB-2700-AL-BLK
	7.5" Light Bar - 1.5W, 3000K, 110 Lumens, CRI 85, IP65, 8-15VAC, 1.67VA, 5 year warranty CASCADES-SL-7.5LB-3000-AL-BLK



INSTALLING THE FIXTURE

1. Separate the two pieces of the fixture by removing the two screws from both sides of the faceplate.
2. If mounting in masonry, concrete, or sheetrock, install the wall anchors.
3. Use the provided cable connectors to connect the lead wires to the transformer main line.
4. Slide the cables into the conduit and mount the back plate onto the wall with the provided screws.
5. Screw the faceplate onto the fixture.

LIGHT BAR



DESCRIPTION

The Light Bar is easy to install and its rugged construction and black aluminum rail makes it a great fit for high-traffic areas. Light Bars are dimmable with most magnetic transformers and the frosted design offers continuous light. Enhanced ESD (Electro-Static Discharge) protection (IEC-61000-4-2). UL Certified E511083.

Optional light bar shields in Copper or Stainless Steel are available in Small and Medium only.

LIGHT BAR

Use	Areas with Elevation Changes or Dark Sky Requirements Deck, Step, & Hardscape Applications	
Includes	Integrated Light Bar, LightingShrink Professional Crimp, and Heat Shrink Cable Connector	
Warranty	5 Year Warranty on Light Bars	
Integrated Lamp	Small - 1.5W, 110 Lumens, 5.125" Length, CRI 85, IP65, 8-15VAC, 1.67VA, 5 yr warranty, 30,000 hrs	
	2700K	BRI-LB-LED-2700-S
	3000K	BRI-LB-LED-3000-S
	Amber	BRI-LB-LED-AMBER-S
	Medium - 2.5W, 200 Lumens, 9.0" Length, CRI 85, IP65, 8-15VAC, 2.78VA, 5 yr warranty, 30,000 hrs	
	2700K	BRI-LB-LED-2700-M
	3000K	BRI-LB-LED-3000-M
	Amber	BRI-LB-LED-AMBER-M
	Large - 4W, 300 Lumens, 12.875" Length, CRI 85, IP65, 8-15VAC, 4.40VA, 5 yr warranty, 30,000 hrs	
2700K	BRI-LB-LED-2700-L	
3000K	BRI-LB-LED-3000-L	
Accessories	Mounting Bracket	
	Small	BRI-MB-LED-S
	Medium	BRI-MB-LED-M
	Large	BRI-MB-LED-L
	Light Bar Shield	
	Small Copper	LBS-S-C
	Small Stainless	LBS-S-SS
	Medium Copper	LBS-M-C
	Medium Stainless	LBS-M-SS

NEC® Article 411.5 (B): Lighting systems shall be installed not less than 3m (10ft) horizontally from the nearest edge of the water, unless permitted by Article 680.



TEE WALL WASHER

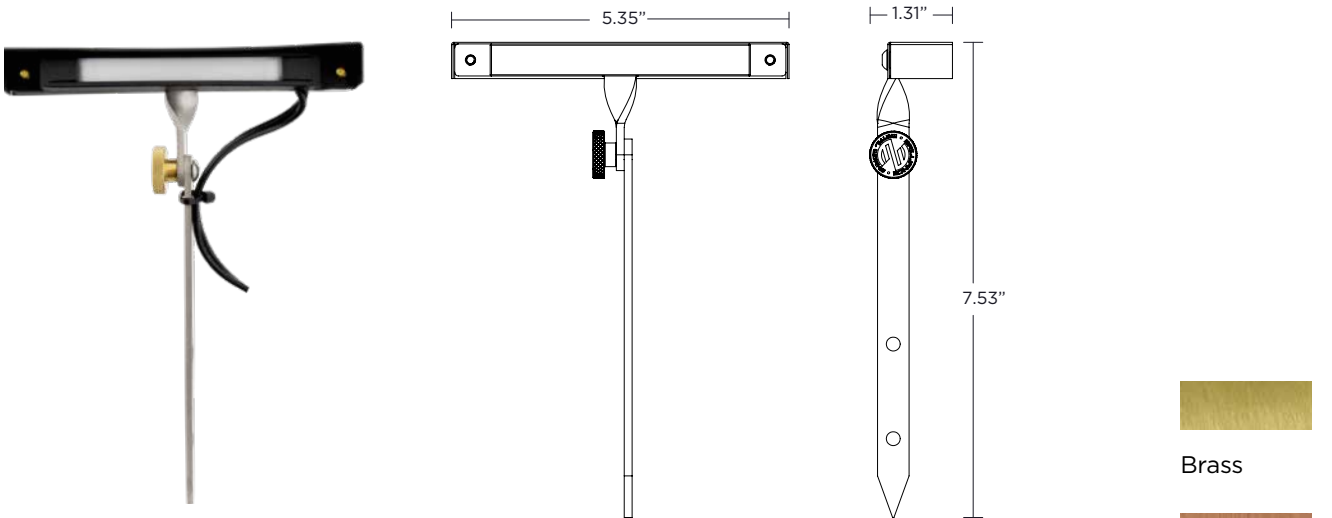


DESCRIPTION

The Tee Wall Washer Light features the Brilliance Metal Works adjustment system which allows articulation of the knuckle. For ease of installation, the power cable comes zip tied to the ground stake. Dimmable with Brilliance Dimmer and most magnetic transformers. Light source UL Certified E511083.

TEE WALL WASHER

Use	Up Lighting/Back Lighting & Grazing Low Profile Pathway Lighting
Finish	Brass, Copper, or Brass w/ Black Cerakote®
Includes	LightingShrink Professional Crimp and Heat Shrink Cable Connector
Warranty	Lifetime Warranty on Tee Wall Washer Fixtures
Integrated Lamp	Small Light Bar - 1.5W, 2700K, 110 Lumens, CRI 85, IP65, 8-15VAC, 1.67VA, 5 year warranty TEE-WALL-WASHER-2700-COPPER TEE-WALL-WASHER-2700-BRASS TEE-WALL-WASHER-2700-BRASS-BLK
	Small Light Bar - 1.5W, 3000K, 110 Lumens, CRI 85, IP65, 8-15VAC, 1.67VA, 5 year warranty TEE-WALL-WASHER-3000-COPPER TEE-WALL-WASHER-3000-BRASS TEE-WALL-WASHER-3000-BRASS-BLK



INSTALLING THE FIXTURE

1. Dig a hole in the ground approximately 1" wide by 4" deep.
2. Insert the built-in stake into the hole and aim the fixture in the preferred direction and angle.
3. For soft soil, gently push the stake into the ground.
4. Lay the power cable from the fixture into the existing cable trench and use the LightingShrink cable connector to join the fixture cable to the main cable.

SURFACE MOUNT WALL WASH

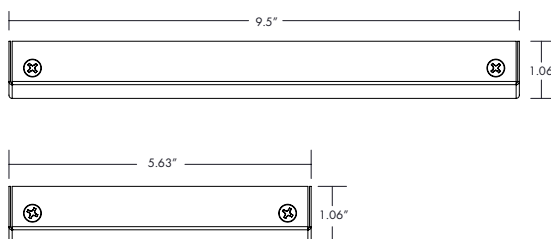


DESCRIPTION

The Surface Mount Wall Wash gently spreads light through its integrated LED light bar. It comes in 2 sizes (Small and Medium) to meet any wall or hardscape lighting requirement. Dimmable with Brilliance Dimmer and most magnetic transformers. Light source UL Certified E511083.

SURFACE MOUNT WALL WASH

Use	Areas with Elevation Changes or Dark Sky Requirements Deck, Step, & Hardscape Applications
Finish	Brass, Copper, or Brass w/ Black Cerakote®
Includes	Integrated Light Bar, Lighting Shrink Professional Crimp, and Heat Shrink Cable Connector
Warranty	Lifetime Warranty on Surface Mount Wall Wash Fixtures
Integrated Lamp	Small Light Bar - 1.5W, 2700K, 110 Lumens, CRI 85, IP65, 8-15VAC, 1.67VA, 5 year warranty SURFACE-MOUNT-WALL-WASH-SMALL-2700-COPPER SURFACE-MOUNT-WALL-WASH-SMALL-2700-BRASS SURFACE-MOUNT-WALL-WASH-SMALL-2700-BRASS-BLK
	Small Light Bar - 1.5W, 3000K, 110 Lumens, CRI 85, IP65, 8-15VAC, 1.67VA, 5 year warranty SURFACE-MOUNT-WALL-WASH-SMALL-3000-COPPER SURFACE-MOUNT-WALL-WASH-SMALL-3000-BRASS SURFACE-MOUNT-WALL-WASH-SMALL-3000-BRASS-BLK
	Medium Light Bar - 2.5W, 2700K, 200 Lumens, CRI 85, IP65, 8-15VAC, 2.78VA, 5 year warranty SURFACE-MOUNT-WALL-WASH-MEDIUM-2700-COPPER SURFACE-MOUNT-WALL-WASH-MEDIUM-2700-BRASS SURFACE-MOUNT-WALL-WASH-MEDIUM-2700-BRASS-BLK
	Medium Light Bar - 2.5W, 3000K, 200 Lumens, CRI 85, IP65, 8-15VAC, 2.78VA, 5 year warranty SURFACE-MOUNT-WALL-WASH-MEDIUM-3000-COPPER SURFACE-MOUNT-WALL-WASH-MEDIUM-3000-BRASS SURFACE-MOUNT-WALL-WASH-MEDIUM-3000-BRASS-BLK



Brass



Copper



Brass+ Black Cerakote®

INSTALLING THE FIXTURE

1. Separate the two-piece fixture by removing the two machine screws from the top of the body.
2. Install the wall anchors, if mounting in masonry, concrete, or sheetrock.
3. Use the provided cable connectors to connect the lead wires to the transformer main line.
4. Slide the cables into the conduit and mount the back plate onto the wall with the screws.
5. Screw the glare hood onto the fixture.

ADJUSTABLE AQUABEAM



DESCRIPTION

The Adjustable AquaBeam has been redesigned to use drop-in MR16 lamps in extremely wet or underwater applications. This new construction allows you to specify the wattage, beam spread, and color for your lighting design and is field serviceable. The Adjustable AquaBeam is precision machined from C464 Naval Brass and offers vertical and horizontal adjustment. It works best with premium Brilliance MR16 4W, 5W, or 7W lamps. Dimmable with Brilliance Dimmer and most magnetic transformers.



ADJUSTABLE AQUABEAM

Use	Fully Submersible, Ideal for Salt Water Applications
Finish	C464 Naval Brass
Includes	25 ft Lead, Stainless Steel Bracket (marine grade)
Warranty	Lifetime Warranty on Brass Housing, 5 Year Warranty on All Internal Components at Maximum Depth of up to 10' (3m)
IP	68

Order With Lamp

MR16 4W

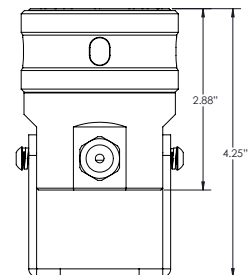
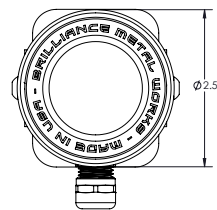
2700K, 15°	ADJ-AQUABEAM-4-2700-15
3000K, 15°	ADJ-AQUABEAM-4-3000-15
2700K, 30°	ADJ-AQUABEAM-4-2700-30
3000K, 30°	ADJ-AQUABEAM-4-3000-30
Amber, 30°	ADJ-AQUABEAM-4-AMBER-30
Blue, 30°	ADJ-AQUABEAM-4-BLUE-30
2700K, 60°	ADJ-AQUABEAM-4-2700-60
3000K, 60°	ADJ-AQUABEAM-4-3000-60
5700K, 60°	ADJ-AQUABEAM-4-5700-60
2700K, 120°	ADJ-AQUABEAM-4-2700-120
3000K, 120°	ADJ-AQUABEAM-4-3000-120

MR16 7W

2700K, 15°	ADJ-AQUABEAM-7-2700-15
3000K, 15°	ADJ-AQUABEAM-7-3000-15
2700K, 30°	ADJ-AQUABEAM-7-2700-30
3000K, 30°	ADJ-AQUABEAM-7-3000-30
5700K, 30°	ADJ-AQUABEAM-7-5700-30
2700K, 60°	ADJ-AQUABEAM-7-2700-60
3000K, 60°	ADJ-AQUABEAM-7-3000-60
5700K, 60°	ADJ-AQUABEAM-7-5700-60
2700K, 120°	ADJ-AQUABEAM-7-2700-120
3000K, 120°	ADJ-AQUABEAM-7-3000-120
5700K, 120°	ADJ-AQUABEAM-7-5700-120

MR16 5W

2700K, 15°	ADJ-AQUABEAM-5-2700-15
3000K, 15°	ADJ-AQUABEAM-5-3000-15
2700K, 30°	ADJ-AQUABEAM-5-2700-30
3000K, 30°	ADJ-AQUABEAM-5-3000-30
5700K, 30°	ADJ-AQUABEAM-5-5700-30
Amber, 30°	ADJ-AQUABEAM-5-AMBER-30
Blue, 30°	ADJ-AQUABEAM-5-BLUE-30
Green, 30°	ADJ-AQUABEAM-5-GREEN-30
Red, 30°	ADJ-AQUABEAM-5-RED-30
Silver Green, 30°	ADJ-AQUABEAM-5-SLVRGR-30
2700K, 60°	ADJ-AQUABEAM-5-2700-60
3000K, 60°	ADJ-AQUABEAM-5-3000-60
5700K, 60°	ADJ-AQUABEAM-5-5700-60
Silver Green, 60°	ADJ-AQUABEAM-5-SLVRGR-60
2700K, 120°	ADJ-AQUABEAM-5-2700-120
3000K, 120°	ADJ-AQUABEAM-5-3000-120



***Note:** Corrosive chemicals in the water of ponds and fountains as well as natural hard water and salt water could affect the appearance of the coating, but will not impact functionality of the product. For this reason, Brilliance LED makes no warranty or guarantee for change in appearance when this product is used in water, as it is designed to be used. (NOT for use in swimming pools, spas, or any contained water basin in contact with people per NEC Article 682.)

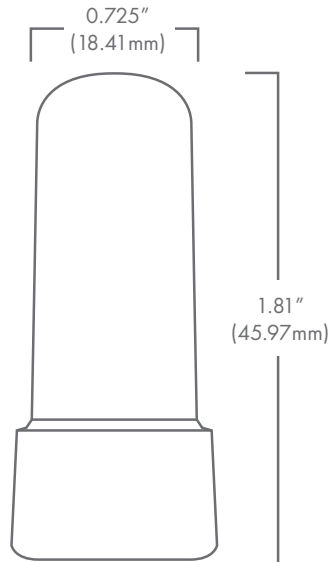
NICHE LIGHT

DESCRIPTION

The Niche Light is the perfect lamp to bring light to hard-to-reach places, whether under water, in a water feature, under stairs, stone walls, stone lanterns, or any small space. This omni-directional product solves the issue of fitting a fixture and a lamp into a small area. The Niche Light is wired with a 10ft lead and is ready to plug and play anywhere. We recommend using LightingShrink connections for Niche Lights. Dimmable with Brilliance Dimmer and most magnetic transformers.

NICHE LIGHT

Use	Fully Submersible in Water Features or Heavy Irrigation Areas Small Spaces that Need Omni-Directional Light
Includes	10 ft Lead
Warranty	3 Year Warranty on Niche Lights
Integrated Lamp	Niche Light - 3W, 215 Lumens, CRI 90, IP68, 8-14VAC, 3 year warranty, 5.00VA, 30,000 hrs 2700K NICHE-LIGHT



***Note:** Corrosive chemicals in the water of ponds and fountains as well as natural hard water and salt water could affect the appearance of the coating, but will not impact functionality of the product. For this reason, Brilliance makes no warranty or guarantee for change in appearance when this product is used in water, as it is designed to be used. (NOT for use in swimming pools, spas, or any contained water basin in contact with people per NEC Article 682.)

MINI BEAM + STAKE & SHIELD

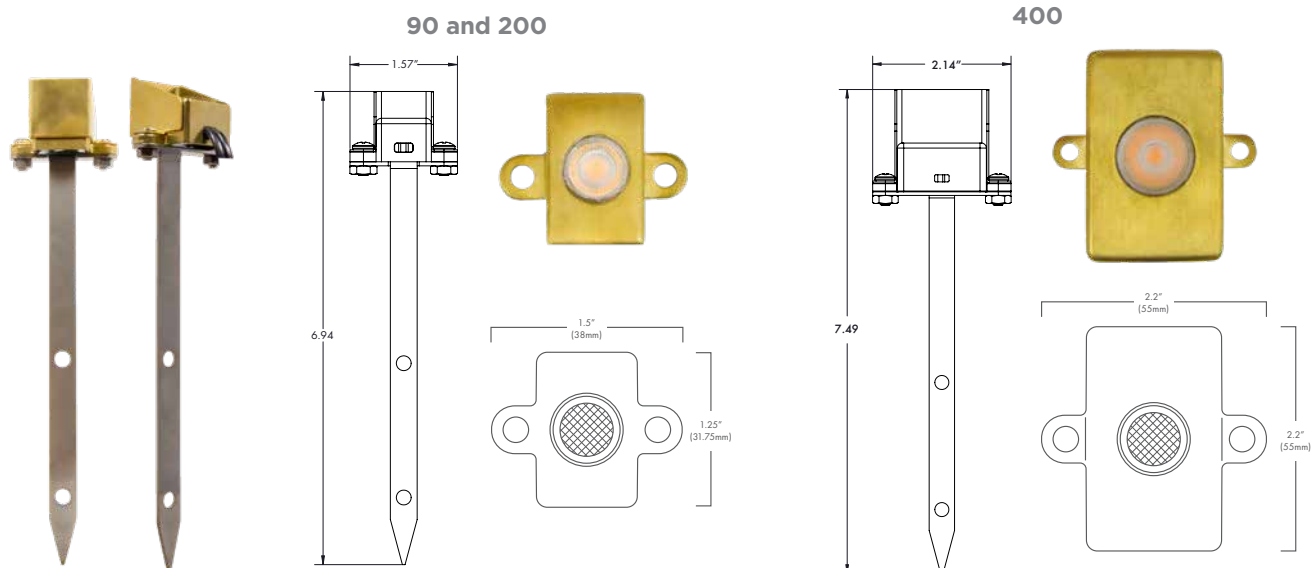


DESCRIPTION

The Mini Beam is the perfect lamp to bring light to hard-to-reach places, whether under stairs, stone walls, stone lanterns, any small space, even under water. This directional product solves the issue of fitting a fixture and a lamp into a small area, and features Enhanced ESD (Electro-Static Discharge) protection (IEC-61000-4-2). We recommend using LightingShrink connections for Mini Beams. Dimmable with Brilliance Dimmer and most magnetic transformers. Now packaged and pre-assembled with the Stake & Shield accessory. If your application calls for it, shape or bend the stake to optimize the light's aim. The stake and shield can easily be removed other applications. ETL Certified for UL 1838 and CSA C22.2 Standards.

MINI BEAM

Use	Fully Submersible in Water Features or Heavy Irrigation Areas, Small Spaces that Need Directional Light
Finish	Brass
Includes	Stainless Steel Stake, Stainless Steel Screws, Brass Shield, 12 ft Lead
Warranty	5 Year Warranty on Mini Beams
Integrated Lamp	Mini Beam - 1.5W, 90 Lumens, 36°, CRI 90, IP68, 8-15VAC, 5 year warranty, 2.50VA 30,000 hrs 2700K MINI-BEAM-2700-90 3000K MINI-BEAM-3000-90 Amber MINI-BEAM-AMBER-90 Blue MINI-BEAM-BLUE-90 Green MINI-BEAM-GREEN-90
	Mini Beam - 3W, 200 Lumens, 36°, CRI 90, IP68, 8-15VAC, 5 year warranty, 3.75VA, 30,000 hrs 2700K MINI-BEAM-2700-200 3000K MINI-BEAM-3000-200
	Mini Beam - 6W, 400 Lumens, 36°, CRI 90, IP68, 8-15VAC, 5 year warranty, 9.23VA, 30,000 hrs 2700K MINI-BEAM-2700-400 3000K MINI-BEAM-3000-400



*Note: Corrosive chemicals in the water of ponds and fountains as well as natural hard water and salt water could affect the appearance of the coating, but will not impact functionality of the product. For this reason, Brilliance LED makes no warranty or guarantee for change in appearance when this product is used in water, as it is designed to be used. (NOT for use in swimming pools, spas, or any contained water basin in contact with people per NEC Article 682.)

GUTTER MOUNT Mini Beam Accessory



DESCRIPTION

The Gutter Mount is an easy-to-affix, sleek accessory bracket that pairs with Mini Beams to light upper segments of structures. The low profile of the Gutter Mount makes it an unobtrusive lighting option compared to traditional uplight fixtures.

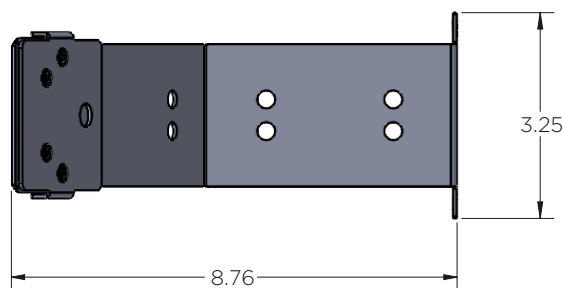
The stainless steel bracket is engineered to work with the various sizes of Mini Beams and offers 30 degrees of vertical adjustment. It can also be painted to match its surroundings. Includes two bracket mounting screws and zip ties. Mini Beam sold separately.

GUTTER MOUNT

Use	Upper Segments of Residential or Commercial Structures, Like Dormers or Other Architectural Features	
Finish	Stainless Steel	
Includes	Gutter Mount, Mounting Bracket Screws, Zip Ties	
Warranty	Lifetime Warranty on Gutter Mount Accessory	
Order Without Light Source	Fits Any Mini Beam	GUTTER-MOUNT



Gutter Mount shown with 400 Lumen Mini Beam (not included)



INSTALLING THE GUTTER MOUNT

1. Attach the Mini Beam to the Gutter Mount using the supplied bracket screws.
2. Attach the Gutter Mount to the fascia of the structure.
3. Adjust the gimbal bracket to the preferred location and tighten the screws.
4. Secure the Mini Beam wire to the Gutter Mount bracket using the supplied zip ties.
5. Wire the Mini Beam into a low voltage power supply.

REPLACEMENT PARTS



MR-11 SHIELD FOR ACADIA
DL-MR11-SHIELD-BRASS
DL-MR11-SHIELD-BRASS-BLK
DL-MR11-SHIELD-COPPER



MR-16 SHIELD FOR DENALI & ARCHES
DL-MR16-SHIELD-BRASS
DL-MR16-SHIELD-BRASS-BLK
DL-MR16-SHIELD-COPPER



SEQUOIA TOP
PL-7-LID-ASSEMBLY-BRASS
PL-7-LID-ASSEMBLY-BRASS-BLK
PL-7-LID-ASSEMBLY-COPPER



ZION TOP
PL-4-LID-ASSEMBLY-BRASS
PL-4-LID-ASSEMBLY-BRASS-BLK
PL-4-LID-ASSEMBLY-COPPER



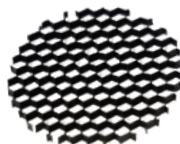
PATHLIGHT GLASS
PL-GLASS-ASSEMBLY
PL-GLASS-ASSEMBLY-BLK



ABS MOUNTING STAKE
STAKE

HONEYCOMB LOUVER
This hexagonal accessory lays between the lamp and the lens of any MR16 spring loaded fixture to reduce glare.

DL-MR16-LOUVER-4.33



THE IMPALER
Made of stainless steel and measuring 12.5 inches long, this stake will ensure the security of any fixture. The two holes allow for rebar to run through the stake for extra security.

IMPALER



ACCESSORIES



DIRECTIONAL DOWNLIGHT TREE MOUNT

This tree mount allows for the Arches fixture to be mounted by screws or a fastening belt around any post or tree. Screws and wrench included.



DDL-TM#2-AL-BLK

CHAMELEON PROGRAMMING PUCK

This handy tool helps with the set up of any Chameleon series lamp, using any 12-volt AC or DC power source. Battery pack and batteries included.



CHAMELEON-PROGRAMMING-PUCK

MR11/MR8 RING ADAPTERS

Adapters for MR11 and MR8 lamps to fit inside MR16 sized fixtures. Includes both MR11 and MR8 adapter rings.

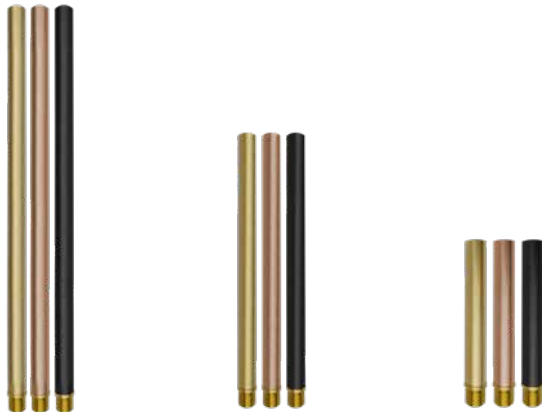


MR8-MR11-ADAPTER-RING

shown: MR11 Adapter

RISERS

Add a 6", 12", or 18" riser to elevate fixtures above obstacles such as foliage.



RISER-6-XXX
RISER-12-XXX
RISER-18-XXX

DECK MOUNT

The Brilliance Metal Works deck mount is made from solid round aluminum or brass stock. It is machined through a CNC computerized process making it a virtually flawless design. Three mounting holes allow the canopy to be installed evenly on any hard-flat surface. A cable relief slot is located on the bottom side of the mount. Designed with a 1/2" NPT female thread and accepts all Brilliance Metal Works stem and knuckled fixtures.



DECK-MOUNT-BRASS
DECK-MOUNT-BRASS-BLACK
DECK-MOUNT-ALUMINUM-BLACK

90 DEGREE ADAPTER

Add the 90 Degree Adapter to one of our directional fixtures (such as a Denali or Acadia) to create a versatile one of a kind lighting solution. Available in one-, two- and three-way mounting points. Includes a 90 Degree Adapter, an 18" Stem, 2 Lock Nuts, and a Wrench. Fixture sold separately.



*Special Order **90-1-18*** (one mounting point)
 *Special Order **90-2-18*** (two mounting points)
 *Special Order **90-3-18*** (three mounting points)



2ND RUNNER UP
2023 PHOTO CONTEST

Photograph courtesy of, Abstract Lighting

REFERENCE INFORMATION
RESOURCES

VOLT AMPS

Watts / Power Factor = Volt Amps

LOW VOLTAGE	Watt	Power Factor	Volt Amps (VA)
Micro G4	1.2	0.79	1.52
Micro T5	1.2	0.79	1.52
Beacon G4	2	0.61	3.28
Beacon Plus G4	3	0.66	4.55
Beacon T5	2	0.61	3.28
Beacon SCB	2	0.61	3.28
Beacon DCB	2	0.61	3.28
Beacon S8	2	0.61	3.28
G4 Ecostar	2	0.60	3.33
	3	0.60	5.00
T5 Ecostar	3	0.60	5.00
SCB Ecostar	3	0.60	5.00
Blaze G4	2	0.60	3.33
Rectangle Wafer	2	0.60	3.33
	3	0.58	5.10
Round Wafer	2	0.60	3.33
MR8	1.5	0.60	2.50
MR11	2	0.60	3.33
AR11	2	0.60	3.33
MR16 Ecostar	4	0.63	6.35
	7	0.63	11.11
MR16	4	0.63	6.35
	5	0.60	8.33
	7	0.63	11.11
PAR36	4	0.60	6.67
	7	0.65	10.77
	11	0.69	15.94
	15	0.70	21.43
Chameleon G4	2.5	0.60	4.17
Chameleon MR16	6	0.65	9.23
Chameleon PAR36	9	0.65	13.85
Strip Light	1.8	0.60	3.00 per ft
Wave Strip Light	4.5	1.5	2.50 per ft
Candelabra Edge Filament	2	0.85	2.35
	3.5	0.85	4.12
S14 Edge Filament	1	0.75	1.33
	2	0.75	2.67
	3.5	0.89	3.93
Light Bar 7.5" in Cascades	1.5	0.90	1.67
Light Bar Small	1.5	0.90	1.67
Light Bar Medium	2.5	0.90	2.78
Light Bar Large	4	0.91	4.40
Aquabeam	5	0.73	6.85
	10	0.88	11.36
Niche Light	3	0.60	5.00
Mini Beam 90	1.5	0.60	2.50
Mini Beam 200	3	0.80	3.75
Mini Beam 400 & Mount Rainier	6	0.65	9.23
Guadalupe	3.8	0.63	6.03
Versa Beam	3	0.63	4.78

LINE VOLTAGE	Watt	Power Factor	Volt Amps (VA)
S14 Edge Filament	2.5	0.90	2.78
	3.5	0.90	3.89
Candelabra Edge Filament	3.5	0.90	3.89
A19 Edge Filament	6.5	0.90	7.22
Blaze Candelabra	3	0.80	3.75

INGRESS PROTECTION RATINGS

The IP Code is published by the International Electrotechnical Commission (IEC).

What it does:

Classifies and rates the degree of protection provided against the intrusion (including body parts such as hands and fingers), dust, accidental contact, and water by mechanical casings and electrical enclosures.

For example, a product rated IP67 means that:

- The product is protected against access to hazardous parts and is dust-tight
- It is also protected against the effects of temporary submersion in water (testing requires 30 minutes at 1-meter depth)



1ST DIGIT DEFINITION

- 0** No protection against contact and ingress of objects.
- 1** Protected against any large surface of the body, such as the back of a hand. Protected against solid objects greater than 50mm in size.
- 2** Protected against access to hazardous parts by a finger or similar object. Protected against solid objects greater than 12.5mm in size.
- 3** Protected against access to hazardous parts with a tool or thick wire. Protected against solid objects greater than 2.5mm in size.
- 4** Protected against access to hazardous parts with a wire, screw, etc. Protected against solid objects greater than 1mm in size.
- 5** Protected against access to hazardous parts. Dust protected.
- 6** Protected against access to hazardous parts. Dust-tight.

2ND DIGIT DEFINITION

- 0** No protection.
- 1** Protected against water drops.
- 2** Protected against water drops at a 15 degree angle.
- 3** Protected against water spray at a 60 degree angle.
- 4** Protected against water sprayed from all directions. Limited ingress permitted.
- 5** Protected against low pressure jets from all directions.
- 6** Protected against strong jets of water. For use on ship decks. Limited ingress permitted.
- 7** Protected against the effects of temporary submersion in water. Test requires 30 minutes at 1 meter depth.
- 8** Protected against the effects of long term submersion. Customer specification applies to a specified pressure and specific testing maybe required.
- 9** Protected against high pressures associated with steam cleaning.



WILDLIFE CERTIFIED LIGHTING



MICRO G4



MR8



MR11



AR11



MR16



PAR36

	MICRO G4	MR8	MR11	AR11	MR16	PAR36
Wattage	1.2W	1.5W	2W	2W	4W 5W	7W 11W
Volt Amps	1.52	2.5	3.33	3.33	6.35 8.33	10.77 15.94
Beam Spread	Omni	30°	30°	30°	30°	30°
Operating Range	8-14 VAC/DC	8-25 VAC/DC	8-25 VAC/DC	8-25 VAC/DC	8-25 VAC/DC	8-25 VAC/DC
CRI	85	85	85	85	85	85
IP	65	61	61	61	61	68
Lamp Life	35,000	50,000	50,000	50,000	50,000	50,000
Warranty	5	5	5	5	5	5

Certification Information

Certification Number: 2018-036 | Category: Certified Bulb
 Certification Requirements: Must be installed in a low mounted, downward directed and shielded fixture.



WILDLIFE CERTIFIED INTEGRATED LIGHTS



STRIP LIGHT



LIGHT BAR




Wattage	1.8 per meter	1.5W	2.5W
Volt Amps	3.00 per foot	1.67	2.78
Length	82.25 ft reel	5.125"	9.0"
Operating Range	8-16 VAC/DC	8-15 VAC	
CRI	80	85	
IP	65	65	
Lamp Life (hrs)	35,000	30,000	
Warranty (yrs)	3	5	

Certification Information

Certification Numbers: Strip Light - 2018-036
 Light Bar - 2019-270 | Category: Tape/Bullet LED Lights
 Certification Requirements: Must be installed with the approved integrated Amber LED. Must be installed in a low, shielded location and directing the light downward and away from the beach. If the Light Bar is used in a fixture, the fixture must meet the FWC Lighting Guidelines for the appropriate fixture type.

WILDLIFE CERTIFIED FIXTURES



Metal Works Fixture	Certification Info	Certification Requirements
	<p>Sequoia Path Light <i>Brass, Copper, or Brass+Black (Cerakote®)</i></p>	<p>2019-268 Category: Certified Walkway Lighting</p> <p>Amber LED. Must be downward directed. Maximum mounting height of 24" from the ground. Additional shielding may be necessary if visible from the beach.</p>
	<p>Zion Path Light <i>Brass, Copper, or Brass+Black (Cerakote®)</i></p>	<p>2019-267 Category: Certified Walkway Lighting</p> <p>Amber LED. Must be downward directed. Maximum mounting height of 24" from the ground. Additional shielding may be necessary if visible from the beach.</p>
	<p>Bryce Hanging Down Light <i>Brass, Copper, or Brass+Black (Cerakote®)</i></p>	<p>2019-269 Category: Certified Ceiling Mount Fixtures</p> <p>Amber LED. Must be installed below structures. Allowed on the ground floor only, unless on the landward side of the structure. Additional shielding may be necessary if visible from the beach.</p>

FIXTURES UNDER FWC REVIEW

Metal Works Fixture	Status	Light Source
	<p>Redwood Path Light <i>Brass, Copper, Brass+Black (Cerakote®), or Brass+Black (Cerakote®) w/ Brass Top</i></p>	<p>Under Review Light Source Approved Under Certification Number 2018-036</p>
	<p>Everglades Area Light <i>Brass or Brass+Black (Cerakote®)</i></p>	<p>Under Review Light Source Approved Under Certification Number 2018-036</p>
	<p>Surface Mount Wall Wash <i>Brass, Copper, or Brass+Black (Cerakote®)</i></p>	<p>Under Review Light Source Approved Under Certification Number 2019-270</p>
	<p>Tee Wall Washer <i>Brass, Copper, or Brass+Black (Cerakote®)</i></p>	<p>Under Review Light Source Approved Under Certification Number 2019-270</p>
	<p>Mini Beam + Stake & Shield 1.5W 90 Lumens <i>36°, CRI 90, IP68, 8-15VAC, 3 year warranty, 2.50VA 30,000 hrs</i></p>	<p>Under Review Integrated into Fixture</p>
	<p>Adjustable AquaBeam <i>MR16 4W: 6.35 VA, MR16 5W: 8.33VA, CRI 85, IP68, 8-25VAC, 5 year warranty, 50,000 hours</i></p>	<p>Under Review Light Source Approved Under Certification Number 2018-03 MR16 Amber</p>

PROFESSIONAL TRAINING

At Brilliance, we are passionate about landscape lighting and bringing the best products to the marketplace. We take the education and correct implementation of landscape lighting very seriously. This is why we offer our very own landscape lighting training. Our training covers a vast range of topics from the basics of LED products, to lighting techniques and designing architectural plans.

Training can be held in-person, either onsite at your location or at our facility in Carefree, Arizona. We can also provide video training sessions remotely. If you are interested in training, contact your Brilliance sales representative. To find the sales rep nearest to you, visit brillianceled.com/contact.



INTRODUCTION TO LANDSCAPE LIGHTING

This session is for anyone who is new to landscape lighting, whether you are in an adjacent field like irrigation, landscaping, or lawn care, or if you are brand new to the green industry.

This specialized training session is one day and provides attendees with the introductory technical skills to become a successful lighting contractor.

Topics include:

- Product & Design Training
- Hands-On Training
- Night Demo Techniques
- Social Media Best Practices
- Landscape Lighting Sales Techniques
- Tips on Night-Time Photography

ADDITIONAL TRAINING TOPICS

We offer training to distributor partners, as well as landscape lighting contractors, landscape lighting designers, landscape architects and specifiers, and anyone who installs our products in the field or specifies them in projects.

Topics include:

- Product Training: high level review of Brilliance and Metal Works products
- Design Training: covers step-by-step procedures, how and when to light, job walks, layout and design
- Low Voltage Electrical Training: covers cabling techniques, cabling connections, voltage drop, and other basics
- Customized Training By Request: combine sessions or add new topics

DESIGN CONSULTATION TIPS

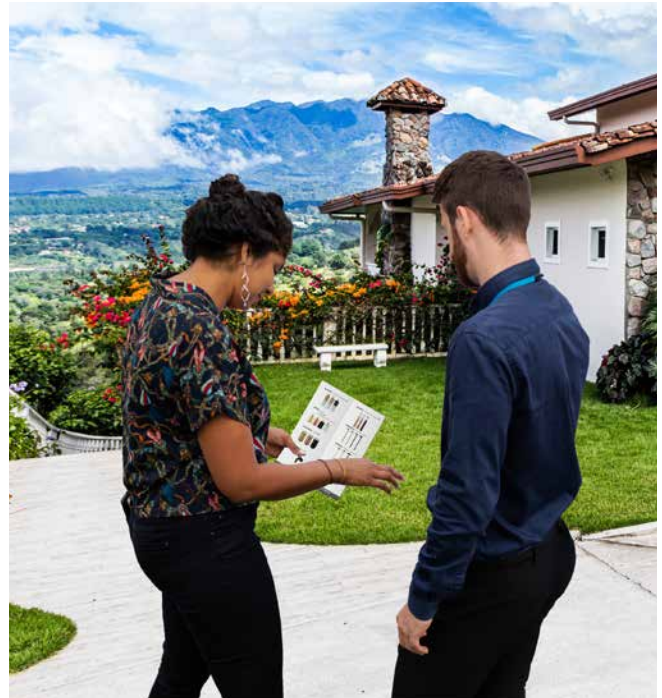
Use these pointers to have successful design consultations so you meet the customer's expectations every time. Design consultations set you apart from those who do not take the time to understand the client's expectations.

ASK WHY LIGHT?

- Why did the client call me here?
- What do they want to accomplish?
- Is the client looking to beautify an area?
- Are they looking for safety and security?
- Are the spaces public or private?
- Are there special lighting needs for this client?

DISCOVER WHAT CLIENTS WANT

Some clients may have specific details about what they want from landscape lighting. They may have gone through the process before, or they may have done research to know what they like and can expect.



Others may not know what their goals are. They may give insight with more generic phrases like, 'I do not want it to look like a theme park' or 'It should not look like an airport runway'. Feedback like 'I want it to be relaxing' or 'I don't want it to be too bright' are excellent context to understand what a client prefers.

KEEP IN MIND

Lighting can create the mood or destroy it. Public spaces such as front yards may need more dramatic illumination to show off the architecture. Backyards are typically more private areas, and the client may ask for a calmer and warmer effect.

SHARE YOUR EXPERTISE

Be sure to share your expertise as a landscape lighting professional. Part of the design process should be a dialog about which options would work best for the client's goals, environment, and budget. Refrain from asking to client to pick whatever they want and offering to install it.

In order to end up with a well-designed landscape lighting system, the client needs your guidance and professional recommendation.

OUR ADVICE TO YOU

- Make it a habit to carry a notebook and something to write or sketch with.
- Ask 'Why light?' to understand the client's preferences.
- Take notes and keep the client talking until you have a clear understanding of their lifestyle and how they plan to use their outdoor space once it is professionally illuminated.
- Consult with your Brilliance representative when you have questions about products or if you need additional lighting design expertise.

LAMP & CONTROL WARRANTY

Brilliance LED, LLC is committed to providing our customers with unparalleled quality and service. Your satisfaction is our goal. To this end, Brilliance LED, LLC warrants and guarantees the following:

Brilliance Low Voltage Lamps Carry:

5-year coverage on: Chameleon G4 Bi-Pin, Chameleon MR16, Chameleon PAR36, Micro G4, MicroT5, Beacon G4, Beacon, Plus G4, Beacon T5, Beacon SCB, Beacon,DCB, Beacon S8, Round G4 Wafer, Rectangle G4 Wafer, MR8, MR11, AR11, MR16, PAR36

3-year coverage on: G4 ECOSTAR, T5 ECOSTAR, SCB ECOSTAR, MR16 ECOSTAR, Blaze G4, Strip Light, Wave Strip Light, Candelabra Edge Filament, S14 Edge Filament

2-year coverage on: Low Voltage Bistro String Reels

Brilliance Line Voltage Lamps Carry:

3-year coverage on: Candelabra Edge Filament, S14 Edge Filament, A19 Edge Filament, Blaze Candelabra

2-year coverage on: Line Voltage Bistro String Light Kits

Brilliance Controls Carry:

Lifetime replacement coverage on all Brilliance Transformers

3-year credit or replacement coverage on all Brilliance Low Voltage Dimmers

3-year replacement coverage on Sector Selectors

2-year coverage on Brilliance Smart Socket 3.0

If any product you purchase from Brilliance LED, LLC fails to perform according to specifications, we ask that you contact us immediately. If the product is found to contain defects of material or workmanship, your account will be credited at current replacement cost or the product will be replaced at no charge to you. The corresponding credit memo must be used within 6 months. No cash refunds will be issued. Notwithstanding the foregoing, Brilliance LED, LLC reserves the right to inspect any returned/exchanged product for defects.

This warranty covers purchases made from authorized Brilliance distributors. **This warranty does not cover purchases made from third-party resellers.**

This warranty does not cover mishandling, abuse, cosmetic damage, or damage due to acts of God, misuse, negligence or modification to any part of the product. **This warranty does not cover** damage due to failure to follow directions regarding operation of the product and also **does not cover** connection to improper power-supply (more than 24 volts), lightning strike, hot-plugging (electrical overstress), other power surges, any other primary side (line voltage) problem, or attempted repair by anyone other than a facility authorized by Brilliance LED, LLC to repair the product. **Special order items** carry a credit-only option for warranty.

This warranty does not cover water damage. This warranty specifically disclaims any damage done to user equipment. In no event shall Brilliance LED, LLC be responsible for removal or re-installation of any product or for the expenses associated thereof. This warranty is given only to the original end user customer and may not be assigned or transferred to anyone else. It is the purchaser's obligation to retain proof of purchase documentation which shows the date of purchase. Brilliance LED, LLC will not warrant any defective product that has had its date of manufacture or other such pertinent information altered or removed.

Brilliance LED, LLC assumes no responsibility for labor costs involved in repair or replacement. We are not responsible for labor, down-time, or equipment rental charges for on-site service.

Brilliance LED, LLC asks its distributor network to take a commonsense approach examining any faulty product and to use best judgment for replacement. Brilliance LED, LLC warrants to the purchaser that Brilliance LED lamps and controls will be free from defect in material and workmanship from the date of purchase.

To submit a warranty claim visit brillianceled.com/info and click the "RGA FORM" button to download the Excel document, then send the completed warranty RGA forms to: warranty@brillianceled.com

Warranty terms are subject to change without notice. Brilliance LED, LLC also reserves the right to modify these warranty terms in order to comply with policy or laws governing warranty issues in states or countries having specific remedies differing or additional to those described within this document.

FIXTURE WARRANTY

Brilliance Metal Works is committed to providing our customers with unparalleled quality and service. Your satisfaction is our goal. All warranty periods begin on the ship date. To this end, Brilliance Metal Works warrants and guarantees the following:

Brilliance Metal Works Fixtures Carry:

A lifetime credit or replacement coverage on all:

- National Parks Series fixtures (excludes Guadalupe and all Aluminum fixtures)
- Brilliance Organics fixtures (excludes o-ring and socket)
- Gutter Mount accessory

10-year repair or replacement coverage on all Black Diamond fixtures and all Aluminum fixtures

5-year coverage on light engines (i.e. Versa Beam/Guadalupe/Mini Beam/Light Bar/Ozark/Cascade/Tee Wall Wash)

2-year coverage on Roswell Solar Path Lights

At the company's discretion, broken glass may be covered to be repaired or replaced

Underwater Fixtures Carry:

A lifetime warranty on the Adjustable AquaBeam Brass housing and a 5-year warranty that covers all internal components at a maximum depth of up to 10' (3m)

3-year coverage on Niche Light fixtures

*Not to be used in pool and spa rated areas or harsh water conditions (i.e. over chlorinated fountains)

This warranty covers purchases made from authorized Brilliance distributors. **This warranty does not cover purchases made from third-party resellers.**

This warranty does not cover mishandling, abuse, cosmetic damage, or damage due to acts of God, misuse, negligence or modification to any part of the product. This warranty **does not cover** damage due to failure to follow directions regarding the operation or installation of the product, and also **does not cover** connection to improper power-supply (more than 24 volts), lightning strike, hot-plugging (electrical overstress), other power surges, any other primary side (line voltage) problem, or attempted repair by anyone other than a facility authorized by Brilliance LED, LLC to repair the product.

This warranty does not apply to optional finishes. Should optional refinishing be required, charges will apply.

This warranty does not cover shipping for returns or repairs. Shipping and handling charges, both ways, are the responsibility of the sender.

Brilliance Metal Works assumes no responsibility for labor costs involved in repair or replacement. We are not responsible for labor, down-time, or equipment rental charges for on-site service.

Your product will be repaired or replaced at our discretion and promptly returned to you via common carrier of our choice. Average repair time from time of receipt is 7-10 business days, however times may vary. Should signature be required at time of delivery, please notify us at the time of RGA request. If a defective fixture is outdated and/or discontinued, it will be repaired if possible.

No other warranties or guarantees, either expressed or implied, exist beyond the stated warranties herein. No employee or agent of Brilliance Metal Works may extend, modify, and/or change the terms of these warranties.

Under no conditions will Brilliance Metal Works be liable for any incidental, consequential, special or money damages in connection with any breach of its aforementioned warranties.

To submit a warranty claim, visit brillianceled.com/info and click the "METAL WORKS RGA FORM" button to download the Excel document, then send the completed warranty RGA forms to: warranty@brillianceled.com

Warranty terms are subject to change without notice. Brilliance LED, LLC also reserves the right to modify these warranty terms in order to comply with policy or laws governing warranty issues in states or countries having specific remedies differing or additional to those described within this document.

GRAND PRIZE WINNER
2023 PHOTO CONTEST

Bryant Outdoor Lighting LLC



1ST RUNNER UP
2023 PHOTO CONTEST



National Sprinklers & Outdoor Lighting

2ND RUNNER UP
2023 PHOTO CONTEST



Abstract Lighting

HONORABLE MENTOR
2023 PHOTO CONTEST



National Lawn Sprinklers & Outdoor Lighting

8TH ANNUAL
PHOTO CONTEST

Now accepting entries year-round. Email photo submissions to marketing@brillianceled.com



Thank you to everyone who participated in our 7th annual photo contest in 2023. With so many exceptional photos, narrowing them down proved to be a very difficult task.

This photo contest gives you as landscape lighting designers and contractors the opportunity to show off your best Brilliance projects and share photos of beautiful and innovative landscape lighting, home lighting, and commercial lighting.

We're continually impressed with your work in the field and look forward to seeing submissions for the 9th Annual Photo Contest in 2024! Contact your sales rep with any questions.



GRAND PRIZE WINNER
2023 PHOTO CONTEST

Photograph courtesy of Bryant Outdoor Lighting LLC

brillianceled.com

7202 E Cave Creek Rd, Suite 3A
P.O. Box 2281 Carefree, AZ 85377

phone: 800.867.2108
fax: 480.575.0078

