

MR16 AMBER

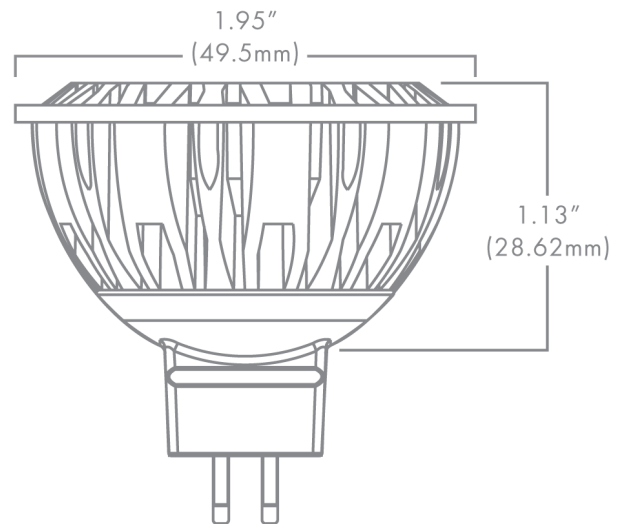


DESCRIPTION

The Brilliance MR16 Bi-Pin is designed to fit in standard low voltage MR16 fixtures and offers a long lamp life. These LEDs are thermally engineered to operate in enclosed fixtures and provide added security by automatically cooling down and reducing lumen output when exposed to extreme heat, such as air temperatures above 125 °F. There is no color shift when lumen output is reduced. Dimmable with Brilliance Dimmer and most magnetic transformers. Suitable for damp locations and for use in totally enclosed luminaires. Not for underwater use.

FEATURES

- Earth tone colored housing
- Enhanced ESD (Electro-Static Discharge) protection (IEC-61000-4-2)
- Heat overload protection technology
- Fully potted PC board
- UL Certified E360351



Part Number: **MR16-X-XXXX-XXX**



MR16 SPECS

Wattage	4W	5W
Volt Amps	6.35	8.33
Beam Spread [†]	30°	
Operating Range	8-25 VAC/DC	
CRI	85	
IP	61	
Lamp Life (hours)	50,000	
Warranty (years)	5	



WILDLIFE LIGHTING CERTIFICATION PROGRAM

Certification Number: 2018-036

Certification Requirements: Must be installed in a low mounted, downward directed and shielded fixture

